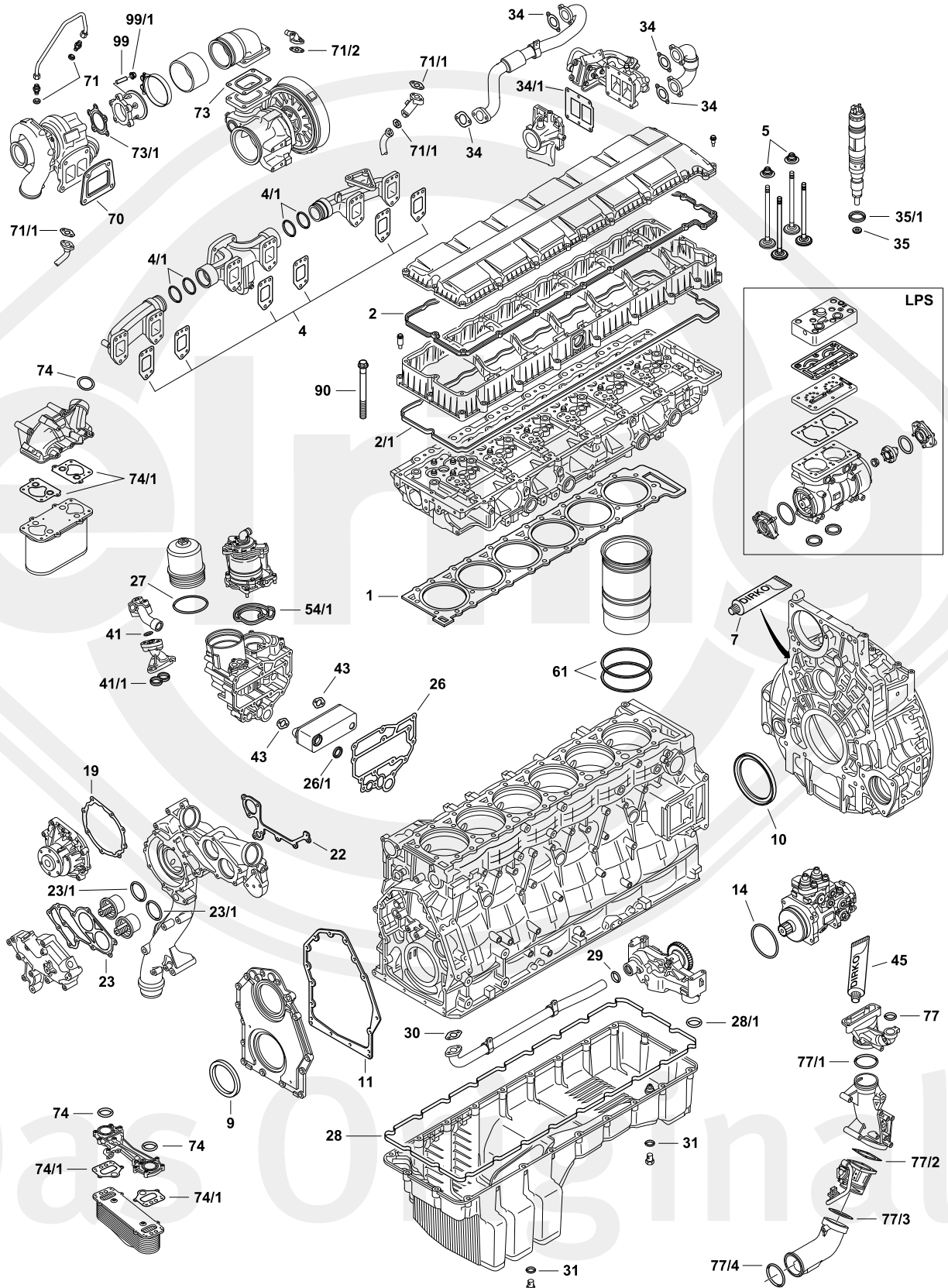




Das Original

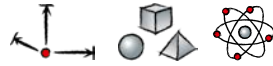
MAN

D 3876 LF





D 3876 LF01-03 | 07-09



S ⊕*		1x	51.00900-6800	–	–
ES ⊕	938.330	1x	51.00900-6801	–	D 3876 LF 01/02/03/07/08/09
ZLBS	685.020	12x	51.96501-0685	–	–
VAS	586.820	1x	–	–	incl. 51.049002 (12x) & 51.04902-0047 (12x)
ZKS		38x	51.90020-0454	M16x1,5x246	–
LPS		1x	51.54901-6006	–	–
LPS		1x	51.54901-6007	–	–
1	563.990	1x	51.03901-0409	–	–
2	938.300	1x	51.03905-0194	Elastomer/Rubber/Caoutchouc/ Goma	–
2/1	938.290	1x	51.03905-0195	Elastomer/Rubber/Caoutchouc/ Goma	–
4	222.240	6x	51.08901-0323	–	–
4/1	153.210	2x	51.98701-0082	–	–
5	908.290	12x	51.04902-0046	–	
5/1	908.300	12x	51.04902-0047	–	
7	036.164	–	04.10394-9385	70 ml	Dirko™ HT
9	158.510	1x	51.01510-6008	100x130x12 AW/BS RD PTFE/ACM	–
10	250.760	1x	51.01510-0277	139x164x12 AW LD PTFE/ACM	–
11	686.190	1x	51.01901-0130	–	–
14		1x	51.96501-0702	–	–
19	743.280	1x	51.06901-0215	Metaloseal	–
22	725.542	1x	51.06901-0217	–	–
23	247.470	1x	51.06901-0206	–	–
23/1	754.854	2x	51.06904-0038	53,1x67,58x6,35 PTFE	–
26	594.850	1x	51.05901-0159	–	–
26/1		1x	51.96501-0672	–	–
27	845.870	1x	51.96501-0671	126,1x3,9 VMQ RD	–
28	733.590	1x	51.05904-0230	Elastomer/Rubber/Caoutchouc/ Goma	–
28/1		1x	06.56936-2081	45x5 FPM RD	–
29		1x	06.56936-1612	32x5 FPM RD	–



D 3876 LF01-03 | 07-09



30		1x	51.06901-0216	–	–
31	705.225	2x	06.56936-1051	20x2,5 FPM RD	–
34		4x	51.08901-0293	–	–
34/1	442.332	1x	51.08901-0270	–	–
35	585.100	1x	51.98701-0139	7,6x14,4x1,5 CU A	–
35/1	804.380	1x	51.96501-0701	23x3 FPM RD	–
41	705.225	1x	06.56936-1051	20x2,5 FPM RD	–
41/1		1x	51.05901-0158	–	–
43		2x	51.01908-0027	–	–
45	036.164	-	04.10394-9385	70 ml	Dirko™ HT
54/1	588.430	1x	51.01908-0028	–	–
61	685.020	12x	51.96501-0685	–	–
70	908.280	1x	51.08901-0308	–	–
71	153.290	2x	06.56631-0107	16,7x1,5 FPM RD	–
71/1	303.421	3x	51.96601-0576	–	–
71/2	803.970	1x	51.96601-0577	–	–
73	967.010	1x	51.08901-0288	–	–
73/1		1x	51.08901-0298	–	–
74		2x	06.56343-3237	96x3 FPM RD	Air intercooler high pressure
74	152.830	1x	06.56936-2423	60x3 FPM RD	Air intercooler low pressure
74/1		2x	51.09905-0098	–	Air intercooler high pressure
74/1	898.580	2x	51.09905-0094	–	Air intercooler low pressure
77		1x	06.56333-3280	40x4 FPM RD	–
77/1		1x	06.56930-3113	92x4,5 NBR RD	–
77/2	594.820	1x	51.09904-0040	–	–
77/3		1x	06.56343-3237	96x3 FPM RD	–
77/4		1x	81.96503-0046	100x3 FPM RD	–
90		38x	51.90020-0454	M16x1,5x246	–
99	372.170	9x	51.90201-0254	M10x30	–
99/1	380.530	9x	06.11229-0023	M10 SW15	–