

Complete Elring Gasket Range for Chevrolet Duramax 3.0L/6.6L

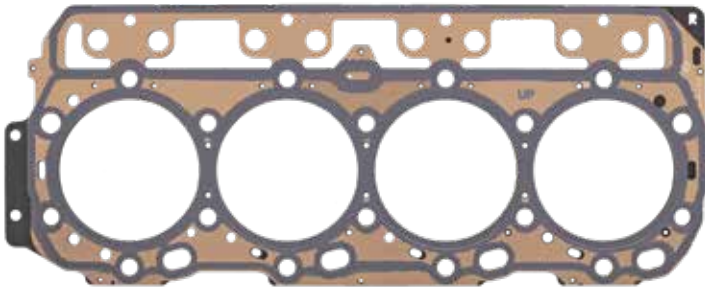


Das Original

As an automotive supplier, ElringKlinger has become a trusted partner to its customers – with a firm commitment to shaping the future of mobility. We recently celebrated 140 years of engine gasket excellence in 2019. Our efforts to excel are supported by a dedicated global workforce of around 10.000 employees at 44 ElringKlinger locations worldwide.

The ElringKlinger success is centered on a deep knowledge of multilayer steel head gasket technology. For this reason, ElringKlinger guarantees high-quality cylinder-head gaskets, which are either produced at the ElringKlinger plants at Buford, GA, USA or Toluca, Mexico, suitable for the Duramax 6.6 L engines.

A detailed look at the design of the cylinder-head gaskets LB7 | LBZ | LLY | LMM | LML | LGH



Even though the engine block was designated as a 6-bolt design, still it was imperative to guarantee the absolute roundness of each cylinder once the bolts had been tightened to specification. The most convincing solution for that was and still is the so-called height profiled honeycomb stopper of ElringKlinger. This stopper is patented

and therefore only found in the aftermarket with Elring – Das Original. This stopper is found on the central layer of the gasket around the combustion chamber area. It functions in conjunction with embossed beads on both outer functional layers, those made from selected spring steel. Also, the beads are not simple circular beads, but also specifically designed and a closer look will unfold the slightly curved beads. Both elements together warrant a perfect sealing of the combustion chamber.

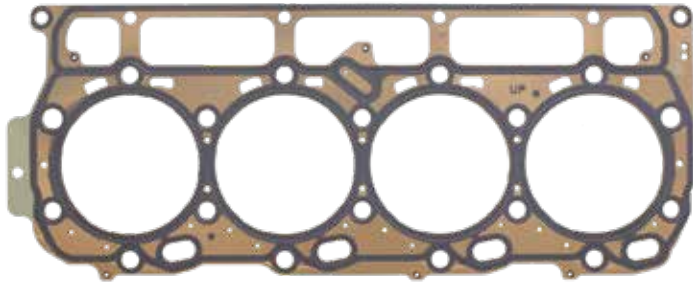
The height profiled honeycomb elements of the central layer are not only found around the cylinder, but also in the so-called backland, the periphery of the gasket. In those areas only half beads are used to seal off engine oil and coolant in combination with those elements

Perfecting the final gasket, screen printing with high temperature resistance elastomer is applied on all beads. Last of all, the highly stressed oil pressure bore is fitted with a slightly thicker elastomer coating on the bead.

L5P | L5D

The year 2017 brought a major change to the Duramax engine series. The engine is now able to produce 445 horsepower (332 kW) and net 910 lb.-ft. (1,234 Nm) of torque. Also, the engine block and cylinder-head design were modified, still retaining a six-bolt design. The major change: Cylinder-head gaskets for the left and right cylinder bank are now the same.

A fourth metal layer was necessary to cope with the increased horsepower and torque. Another technical feature that is noticeable are the so-called ray stoppers on both



functional layers found on the periphery of the gasket. They serve to minimize the effects of the sealing gap oscillations on the beads. Not to be seen are the laser welded and elastomer coated stoppers on the central layer were specifically developed as there is no other room for a standard stopper due to the design and position of the beads, originating from the position of the intake and exhaust valves.

Another not to be seen feature on the second functional from the top are stamped dots that support the so called half beads for the sealing off the bores for pressurized engine oil and coolant as well as the return channels.



Details of the ElringKlinger patented ray stopper

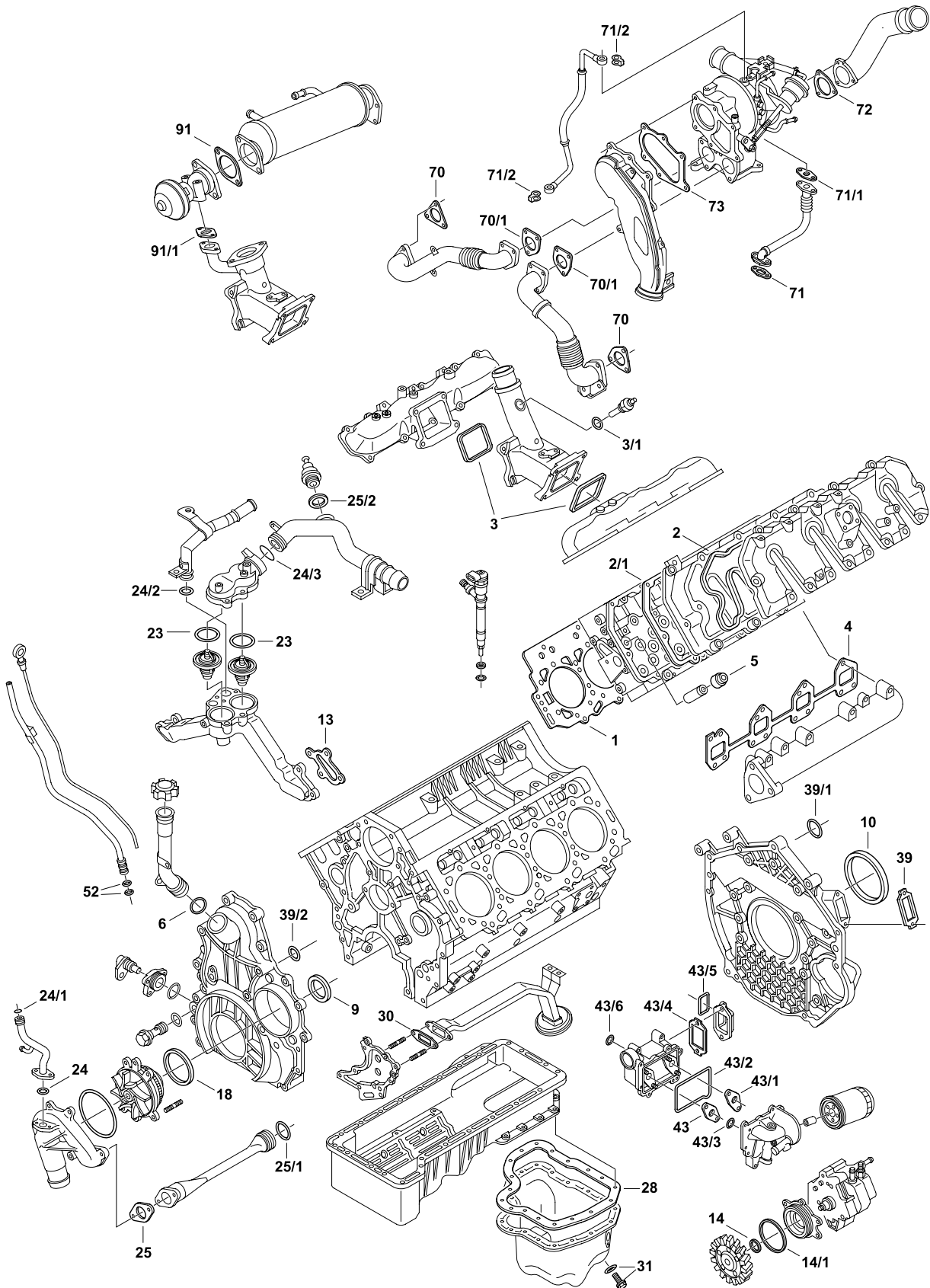
These details can be found if one takes a closer look on the Duramax cylinder-head gaskets that are supplied under the brand “Elring – Das Original”, the aftermarket brand of ElringKlinger. Provider of outstanding precision German engineering.






Contents

LB7 (2001-2004)	4
LBZ (2006-2007)	8
LLY (2004-2007)	12
LMM (2007-2016)	16
LML (2011-2016)	20
LGH (2011-2016)	24
L5P (from 2017)	28
L5D (from 2019)	28
LM2 (from 2019)	32

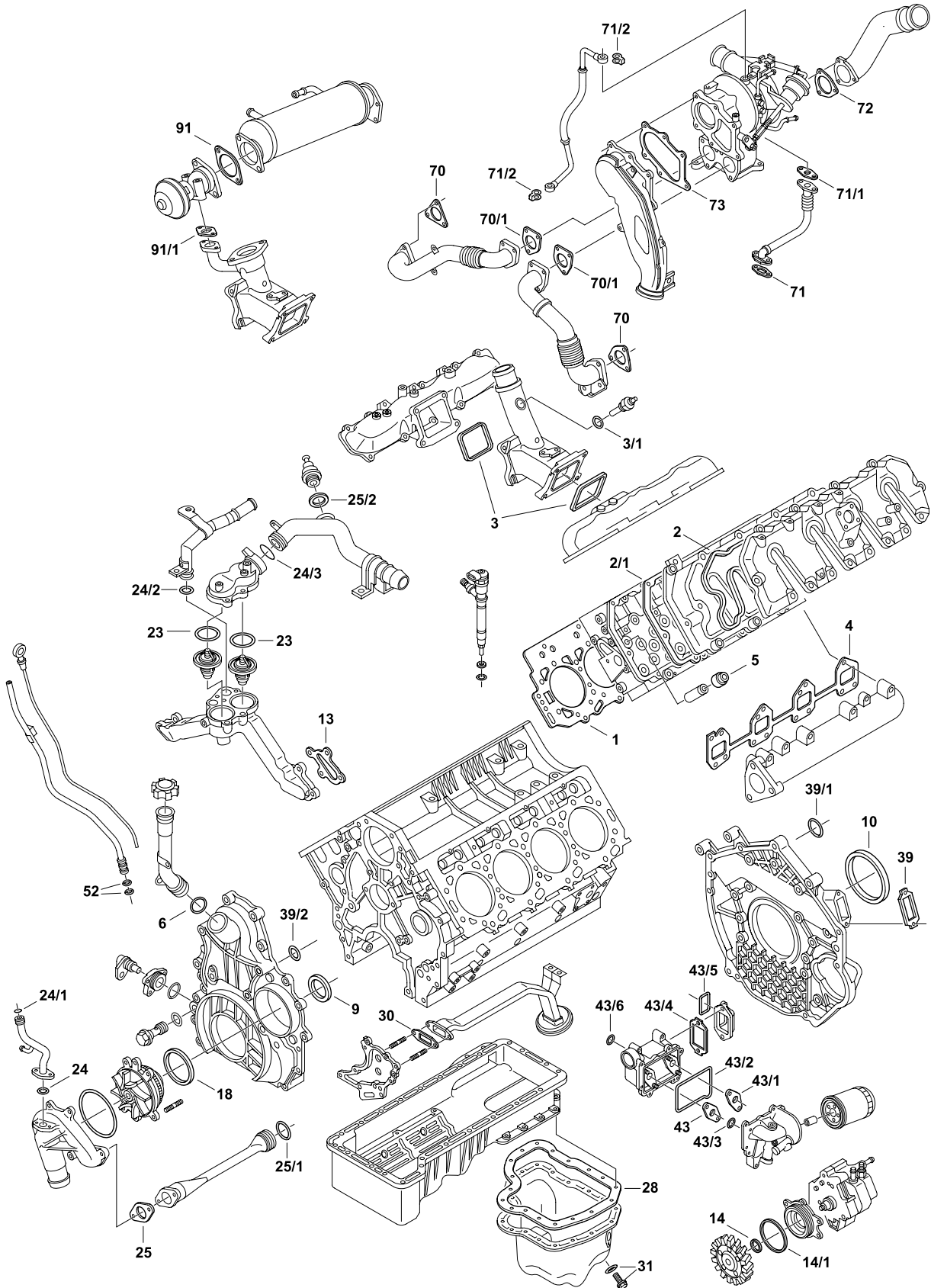
LB7 (2001-2004)





	565.630	1	-	-	-
	098.670	1	-	-	-
1	541.782	1	12637787	Grade A Ø 105.4 mm ± 0.95 mm	LH
1	541.792	1	12637786	Grade B Ø 105.4 mm ± 1.00 mm	LH
1	541.802	1	12637785	Grade C Ø 105.4 mm ± 1.05 mm	LH
1	355.541	1	98040130	REMAN Ø 106.1 mm ± 1.05 mm	LH
1	541.752	1	12637790	Grade A Ø 105.4 mm ± 0.95 mm	RH
1	541.762	1	12637789	Grade B Ø 105.4 mm ± 1.00 mm	RH
1	541.772	1	12637788	Grade C Ø 105.4 mm ± 1.05 mm	RH
1	355.531	1	98040128	REMAN Ø 106.1 mm ± 1.05 mm	RH
2	510.031	1	-	-	 Dirko™ HT
2/1	096.870	1	97188896	AEM	-
3	095.120	2	97251963	HNBR	-
3/1	098.180	1	97254004	-	-
4	792.750	2	98002804	-	-
5	098.350	32	97212994	6.5 x 11.0 mm / 15.5 x 9.7 mm FKM	-
6	098.360	1	94007612	-	-
9	795.470	1	97209341	75.8 x 111.2 x 17.2 mm A/BS SP RD MVQ	-
10	795.430	1	97209342	103.8 x 139.2 x 16.5 mm A/BS SP LD MVQ	-
13	795.220	2	97223686	-	-
14	268.550	1	97351488	O-Ring 44 x 3.0 mm ACM	-
14/1	353.760	1	94011700	O-Ring 89.2 x 3.5 mm FKM	-
18	792.570	1	94013304	O-Ring 106 x 3.5 mm ACM	-
23	792.640	2	12680544	-	-
24	778.200	1	94011603	O-Ring 33 x 2.5 mm EPDM	-
24/1	778.190	1	94011602	O-Ring 24.6 x 2.4 mm EPDM	-
24/2	109.150	1	94011605	O-Ring 14.7 x 2.4 mm EPDM	-
24/3	108.590	1	94011604	O-Ring 44.4 x 3.45 mm EPDM	-
25	095.090	1	97188663	-	-
25/1	798.260	1	94011702	O-Ring 43.5 x 3.5 mm EPDM	-
25/2	098.660	1	94005941	30.4 x 38 x 2.0 mm AL A	-
28	779.360	1	-	-	-
30	109.020	1	97207225	-	-

LB7 (2001-2004)



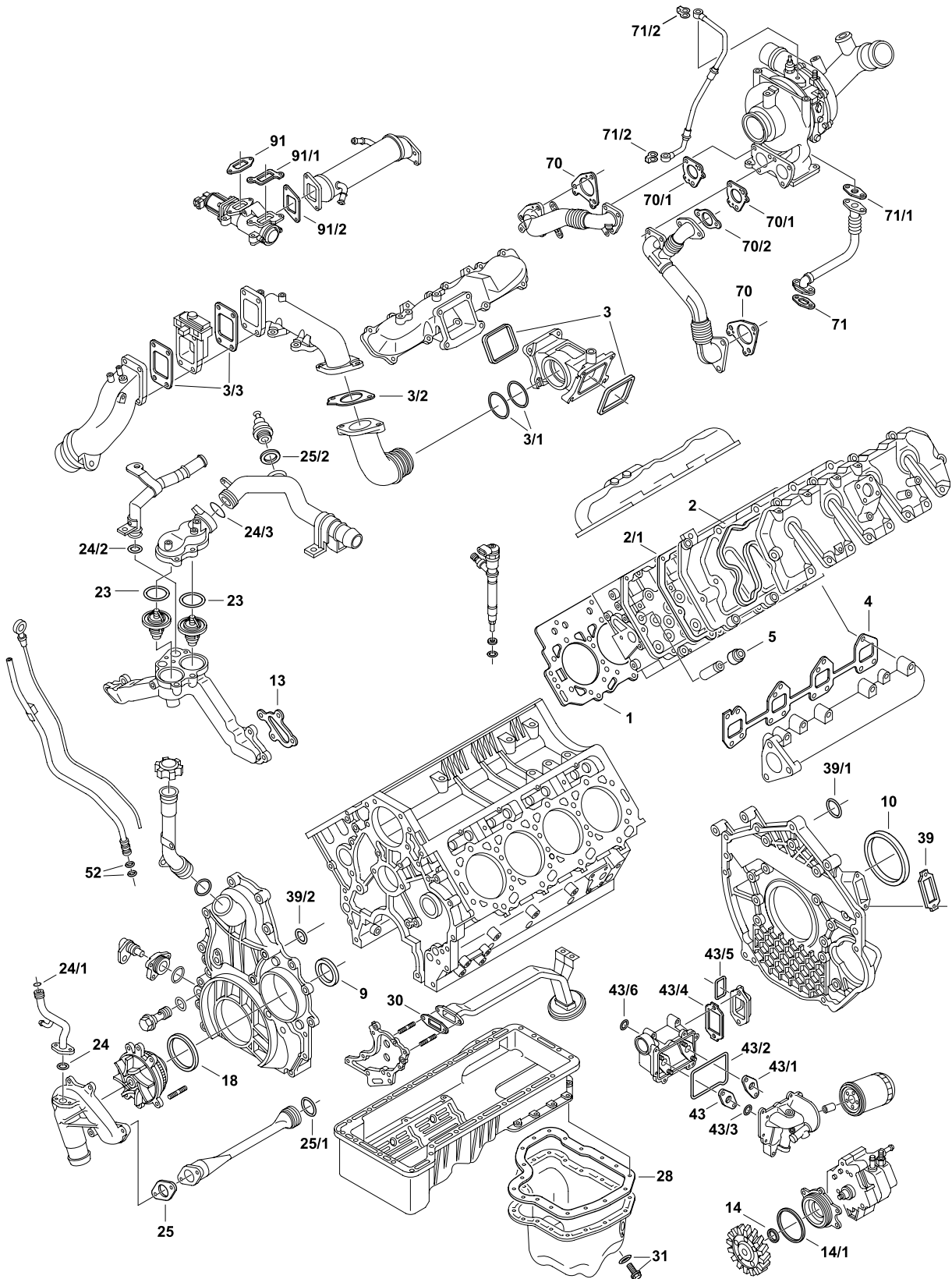


31	108.560	1	11569943	M 14 x 1.5 x 20 mm	-
39	108.520	1	97229043	-	-
39/1	091.710	1	94056175	O-Ring 44.64 x 3.55 mm MVQ	-
39/2	818.445	1	94011695	O-Ring 21 x 2.4 mm FKM	-
39/3	107.720	1	97301457	-	-
43	795.320	1	12640850	-	-
43/1	795.410	1	12640849	-	-
43/2	798.270	1	97358847	EPDM	-
43/3	157.030	1	97216175	O-Ring 21.82 x 3.53 mm FKM	-
43/4	795.240	1	97192666	-	-
43/5	792.620	1	12709792	HNBR	-
43/6	584.240	1	94399279	O-Ring 25.8 x 3.53 mm FKM	-
52	457.960	2	94036238	O-Ring 11.0 x 2.4 mm MVQ	-
70	795.230	2	97188685	-	-
70/1	795.200	2	97192618	-	-
71	098.520	1	97208191	-	-
71/1	098.510	1	97227012	-	-
71/2	098.530	2	98340579	-	-
72	097.090	1	97318441	-	-
73	098.650	1	97192619	-	-
73	103.100	1	97254688	-	-
91	095.100	1	97288794	-	-
91/1	097.070	1	97288795	-	-
73	103.100	1	97254688	-	-
91	095.100	1	97288794	-	-
91/1	097.070	1	97288795	-	-



795.220

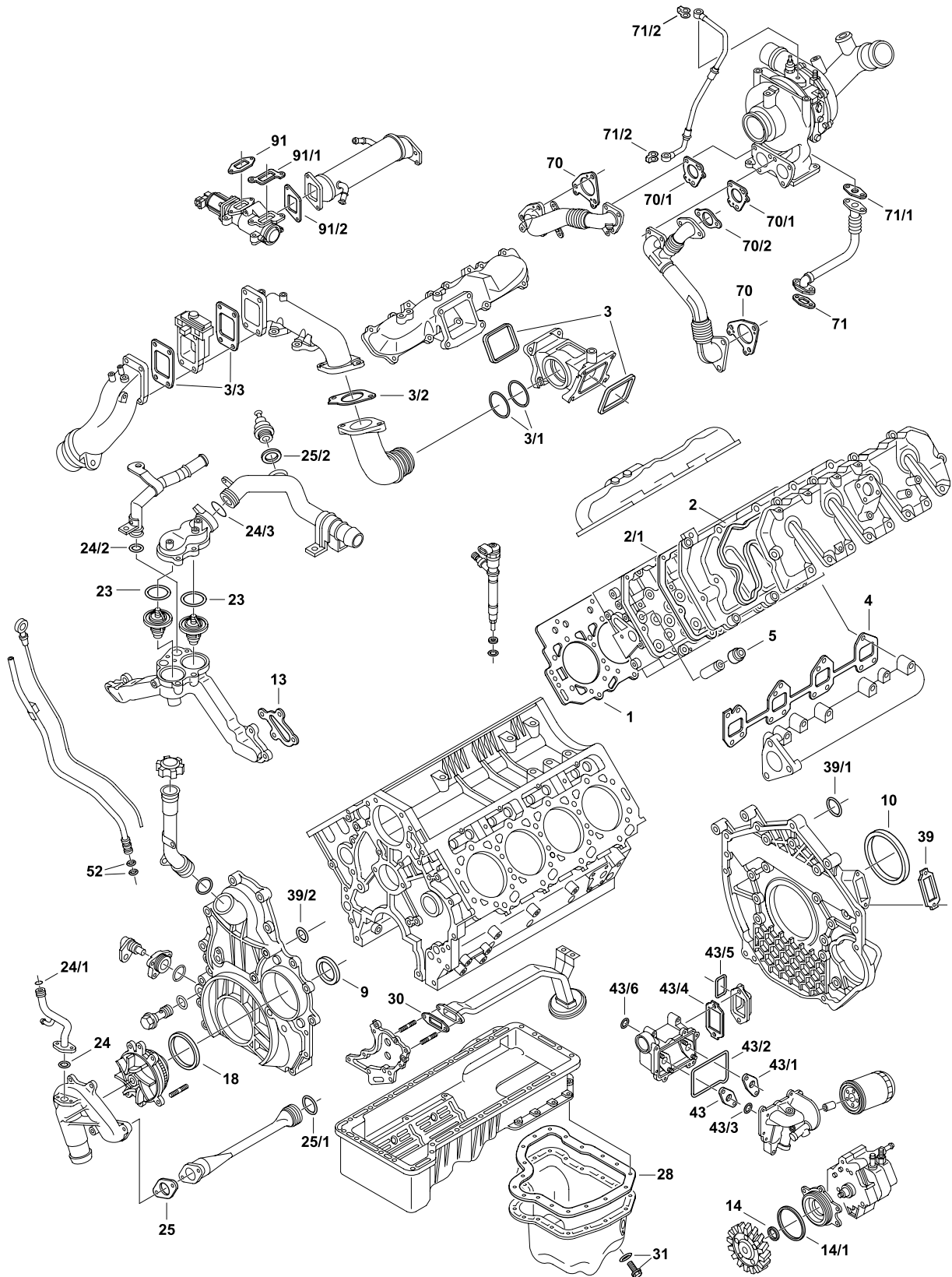
LBZ (2006-2007)





	565.630	1	-	-	-
1	541.782	1	12637787	Grade A Ø 105.4 mm ± 0.95 mm	LH
1	541.792	1	12637786	Grade B Ø 105.4 mm ± 1.00 mm	LH
1	541.802	1	12637785	Grade C Ø 105.4 mm ± 1.05 mm	LH
1	355.541	1	98040130	REMAN Ø 106.1 mm ± 1.05 mm	LH
1	541.752	1	12637790	Grade A Ø 105.4 mm ± 0.95 mm	RH
1	541.762	1	12637789	Grade B Ø 105.4 mm ± 1.00 mm	RH
1	541.772	1	12637788	Grade C Ø 105.4 mm ± 1.05 mm	RH
1	355.531	1	98040128	REMAN Ø 106.1 mm ± 1.05 mm	RH
2	098.890	2	97312341	AEM	-
2/1	793.010	2	97321295	-	-
3	095.120	2	97251963	HNBR	till 08/2005
3	792.600	2	97363570	HNBR	from 09/2005
3/1	096.910	2	97729991		till 08/2005
3/1	096.930	2	97363723	O-Ring 85.3 x 3.5 mm ACM	from 08/2005
3/2	096.990	1	97365201	-	-
3/3	108.600	2	98053991	-	-
4	792.750	2	98002804	-	-
5	098.350	32	97212994	6.5 x 11.0 mm / 15.5 x 9.7 mm FKM	-
9	795.470	1	97209341	75.8 x 111.2 x 17.2 mm A/BS SP RD MVQ	-
10	795.430	1	97209342	103.8 x 139.2 x 16.5 mm A/BS SP LD MVQ	-
13	795.220	2	97223686	-	-
14	268.550	1	97351488	O-Ring 44 x 3.0 mm ACM	-
14/1	353.760	1	94011700	O-Ring 89.2 x 3.5 mm FKM	-
18	792.570	1	94013304	O-Ring 106 x 3.5 mm ACM	-
23	792.640	2	12680544	-	-
24	778.200	1	94011603	O-Ring 33 x 2.5 mm EPDM	-
24/1	778.190	1	94011602	O-Ring 24.6 x 2.4 mm EPDM	-
24/2	109.150	1	94011605	O-Ring 14.7 x 2.4 mm EPDM	-
24/3	108.590	1	94011604	O-Ring 44.4 x 3.45 mm EPDM	-
25	795.210	1	12635594	-	-

LBZ (2006-2007)



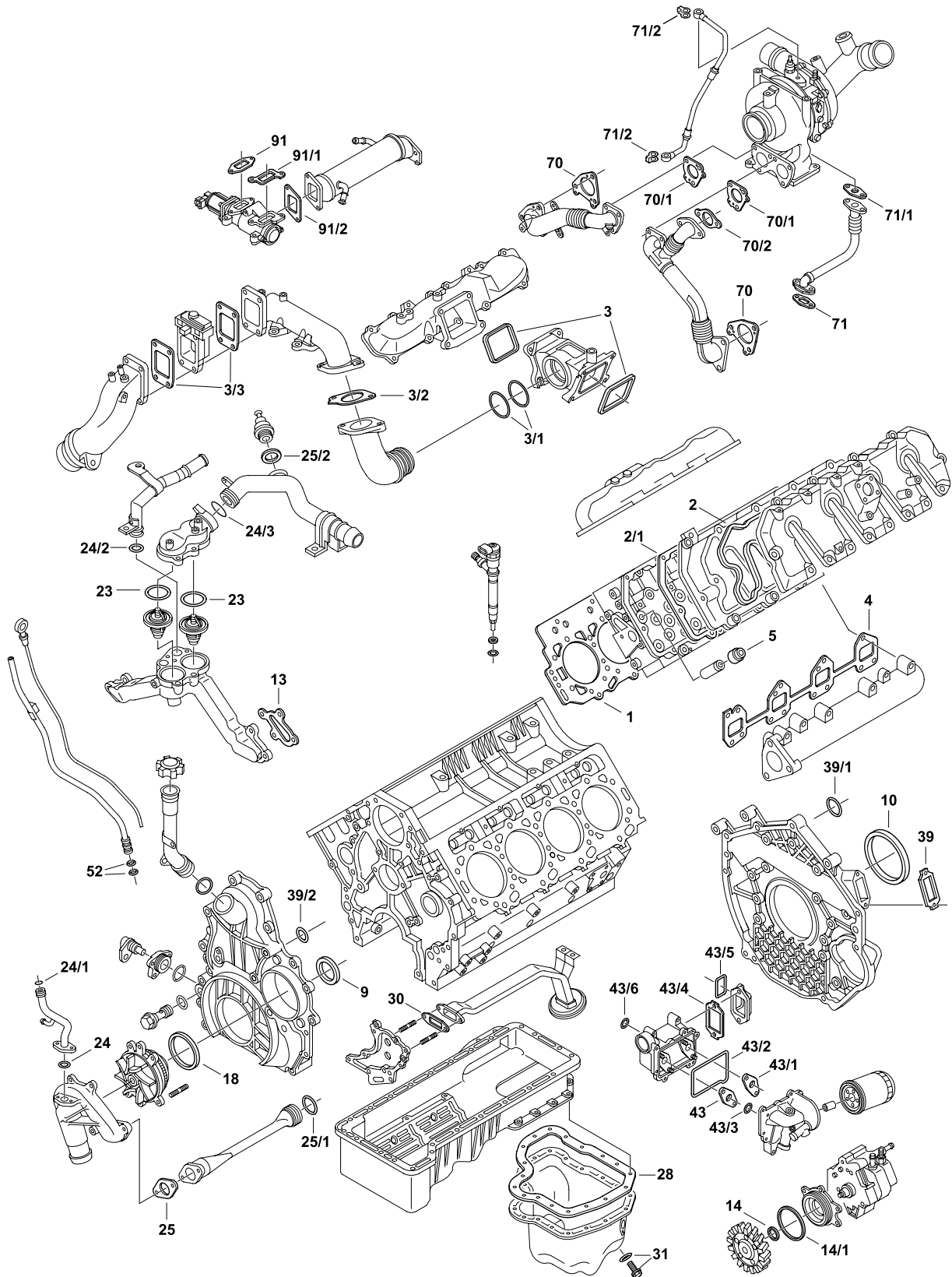


25/1	798.260	1	94011702	O-Ring 43.5 x 3.5 mm EPDM	-
25/2	098.660	1	94005941	30.4 x 38 x 2.0 mm AL A	-
28	779.360	1	-	-	-
30	109.020	1	97207225	-	-
31	108.560	1	11569943	M 14 x 1.5 x 20 mm	-
39	108.520	1	97229043	-	-
39/1	091.710	1	94056175	O-Ring 44.64 x 3.55 mm MVQ	-
39/2	818.445	1	94011695	O-Ring 21 x 2.4 mm FKM	-
43	795.320	1	12640850	-	-
43/1	795.410	1	12640849	-	-
43/2	798.270	1	97358847	EPDM	-
43/3	157.030	1	97216175	O-Ring 21.82 x 3.53 mm FKM	-
43/4	795.240	1	97192666	-	-
43/5	792.620	1	12709792	HNBR	-
43/6	584.240	1	94399279	O-Ring 25.8 x 3.53 mm FKM	-
52	457.960	2	94036238	O-Ring 11.0 x 2.4 mm MVQ	-
70	795.230	2	97188685	-	-
70/1	795.200	2	97192618	-	-
70/2	103.120	1	97328807	-	-
71	098.520	1	97208191	-	-
71/1	098.510	1	97227012	-	-
71/2	561.850	2	97331137	-	-
91	097.010	1	97303656	-	till 08/2005
91	097.040	1	97367013	-	from 08/2005
91/1	097.030	1	97318478	-	till 08/2005
91/1	097.020	1	97367014	-	from 08/2005
91/2	097.060	1	97303655	-	-



792.750

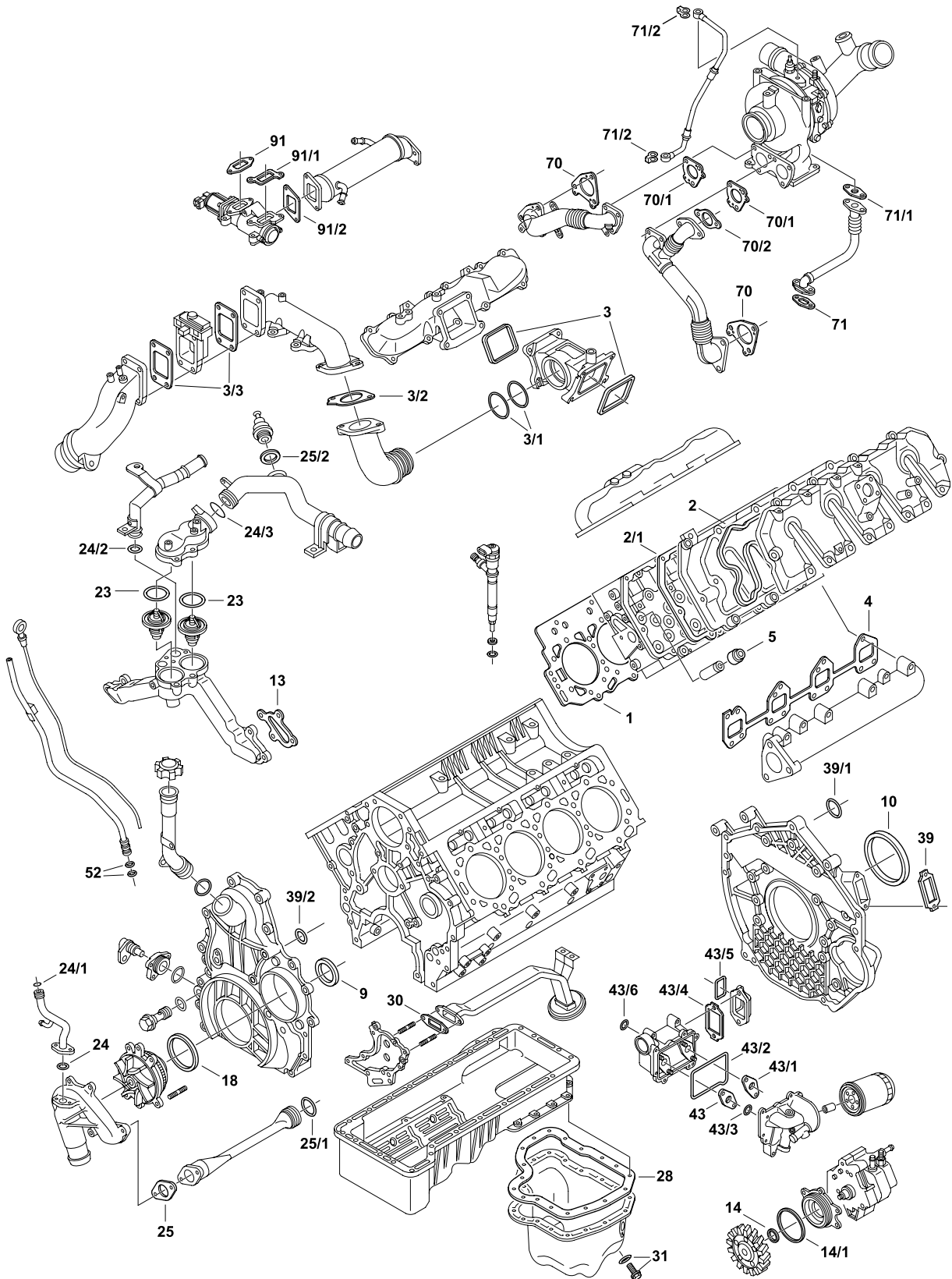
LLY (2004-2007)





	565.630	1	-	-	-
1	541.782	1	12637787	Grade A Ø 105.4 mm ± 0.95 mm	LH
1	541.792	1	12637786	Grade B Ø 105.4 mm ± 1.00 mm	LH
1	541.802	1	12637785	Grade C Ø 105.4 mm ± 1.05 mm	LH
1	355.541	1	98040130	REMAN Ø 106.1 mm ± 1.05 mm	LH
1	541.752	1	12637790	Grade A Ø 105.4 mm ± 0.95 mm	RH
1	541.762	1	12637789	Grade B Ø 105.4 mm ± 1.00 mm	RH
1	541.772	1	12637788	Grade C Ø 105.4 mm ± 1.05 mm	RH
1	355.531	1	98040128	REMAN Ø 106.1 mm ± 1.05 mm	RH
2	098.890	2	97312341	AEM	-
2/1	793.010	2	97321295	-	-
3	095.120	2	97251963	HNBR	till 08/2005
3	792.600	2	97363570	HNBR	from 09/2005
3/1	096.910	2	97729991		till 08/2005
3/1	096.930	2	97363723	O-Ring 85.3 x 3.5 mm ACM	from 08/2005
3/2	096.990	1	97365201	-	-
3/3	108.600	2	98053991	-	-
4	792.750	2	98002804	-	-
5	098.350	32	97212994	6.5 x 11.0 mm / 15.5 x 9.7 mm FKM	-
9	795.470	1	97209341	75.8 x 111.2 x 17.2 mm A/BS SP RD MVQ	-
10	795.430	1	97209342	103.8 x 139.2 x 16.5 mm A/BS SP LD MVQ	-
13	795.220	2	97223686	-	-
14	268.550	1	97351488	O-Ring 44 x 3.0 mm ACM	-
14/1	353.760	1	94011700	O-Ring 89.2 x 3.5 mm FKM	-
18	792.570	1	94013304	O-Ring 106 x 3.5 mm ACM	-
23	792.640	2	12680544	-	-
24	778.200	1	94011603	O-Ring 33 x 2.5 mm EPDM	-
24/1	778.190	1	94011602	O-Ring 24.6 x 2.4 mm EPDM	-
24/2	109.150	1	94011605	O-Ring 14.7 x 2.4 mm EPDM	-
24/3	108.590	1	94011604	O-Ring 44.4 x 3.45 mm EPDM	-
25	095.090	1	97188663	-	-
25/1	798.260	1	94011702	O-Ring 43.5 x 3.5 mm EPDM	-
25/2	098.660	1	94005941	30.4 x 38 x 2.0 mm ALA	-

LLY (2004-2007)



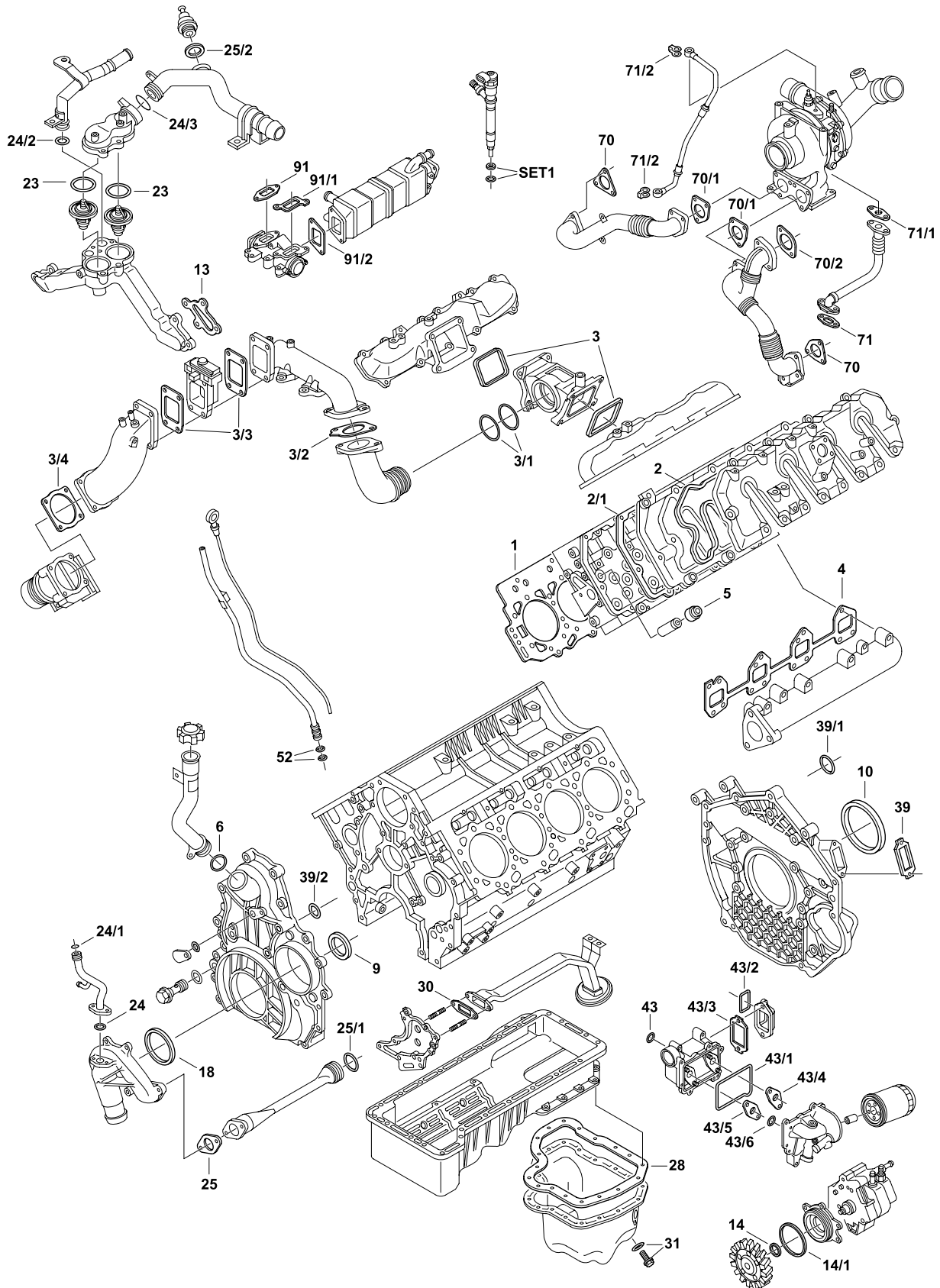


28	779.360	1	-	-	-
30	109.020	1	97207225	-	-
31	108.560	1	11569943	M 14 x 1.5 x 20 mm	-
39	108.520	1	97229043	-	-
39/1	091.710	1	94056175	O-Ring 44.64 x 3.55 mm MVQ	-
39/2	818.445	1	94011695	O-Ring 21 x 2.4 mm FKM	-
43	795.320	1	12640850	-	-
43/1	795.410	1	12640849	-	-
43/2	798.270	1	97358847	EPDM	-
43/3	157.030	1	97216175	O-Ring 21.82 x 3.53 mm FKM	-
43/4	795.240	1	97192666	-	-
43/5	792.620	1	12709792	HNBR	-
43/6	584.240	1	94399279	O-Ring 25.8 x 3.53 mm FKM	-
52	457.960	2	94036238	O-Ring 11.0 x 2.4 mm MVQ	-
70	795.230	2	97188685	-	-
70/1	795.200	2	97192618	-	-
70/2	103.120	1	97328807	-	-
71	098.520	1	97208191	-	-
71/1	098.510	1	97227012	-	-
71/2	561.850	2	97331137	-	-
91	097.010	1	97303656	-	till 08/2005
91	097.040	1	97367013	-	from 08/2005
91/1	097.030	1	97318478	-	till 08/2005
91/1	097.020	1	97367014	-	from 08/2005
91/2	097.060	1	97303655	-	-



565.630

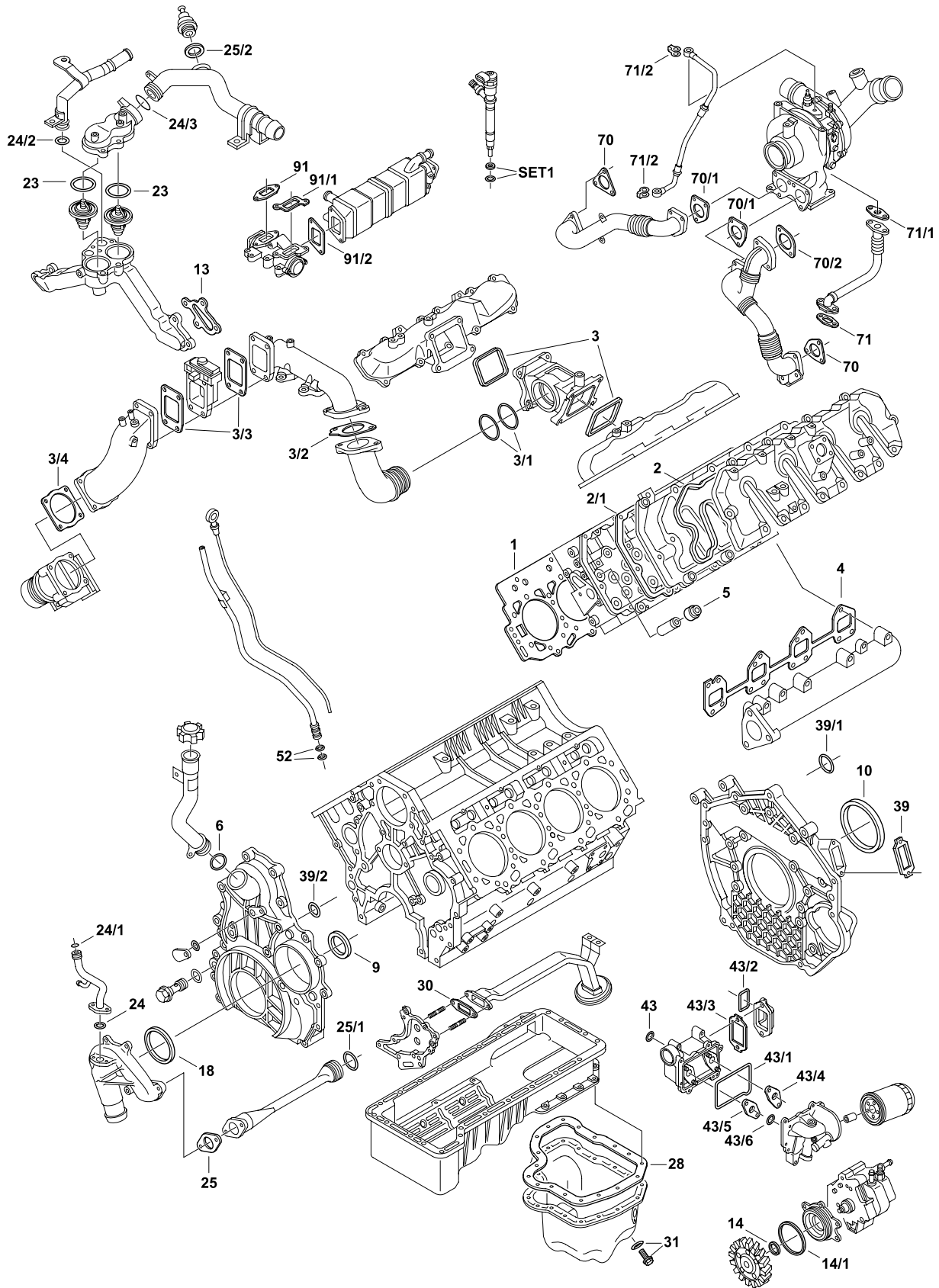
LMM (2007-2016)





	565.630	1	-	-	-
1	541.782	1	12637787	Grade A Ø 105.4 mm ± 0.95 mm	LH
1	541.792	1	12637786	Grade B Ø 105.4 mm ± 1.00 mm	LH
1	541.802	1	12637785	Grade C Ø 105.4 mm ± 1.05 mm	LH
1	355.541	1	98040130	REMAN Ø 106.1 mm ± 1.05 mm	LH
1	541.752	1	12637790	Grade A Ø 105.4mm ± 0.95 mm	RH
1	541.762	1	12637789	Grade B Ø 105.4 mm ± 1.00 mm	RH
1	541.772	1	12637788	Grade C Ø 105.4 mm ± 1.05 mm	RH
1	355.531	1	98040128	REMAN Ø 106.1 mm ± 1.05 mm	RH
2	098.890	2	97312341	AEM	-
2/1	793.010	2	97321295	-	-
3	792.600	2	97363570	-	-
3/1	096.930	2	97363723	O-Ring 85.3 x 3.5 mm ACM	-
3/2	096.990	1	97365201	-	-
3/3	108.600	2	98053991	-	-
3/4	108.610	1	97365040	-	-
4	792.750	2	98002804	-	-
5	098.350	32	97212994	6.5 x 11.0 mm / 15.5 x 9.7 mm FKM	-
6	108.650	1	97780422	-	-
9	795.470	1	97209341	75.8 x 111.2 x 17.2 mm A/BS SP RD MVQ	-
10	795.430	1	97209342	103.8 x 139.2 x 16.5 mm A/BS SP LD MVQ	-
13	795.220	2	97223686	-	-
14	268.550	1	97351488	O-Ring 44 x 3.0 mm ACM	-
14/1	353.760	1	12638504	O-Ring 89.2 x 3.5 mm FKM	-
18	792.570	1	94013304	O-Ring 106 x 3.5 mm ACM	-
23	792.640	2	12680544	-	-
24	778.200	1	94011603	O-Ring 33 x 2.5 mm EPDM	-
24/1	778.190	1	94011602	O-Ring 24.6 x 2.4 mm EPDM	-
24/2	109.150	1	94011605	-	-
24/3	108.590	1	94011604	-	-
25	795.210	1	12635594	-	-

LMM (2007-2016)



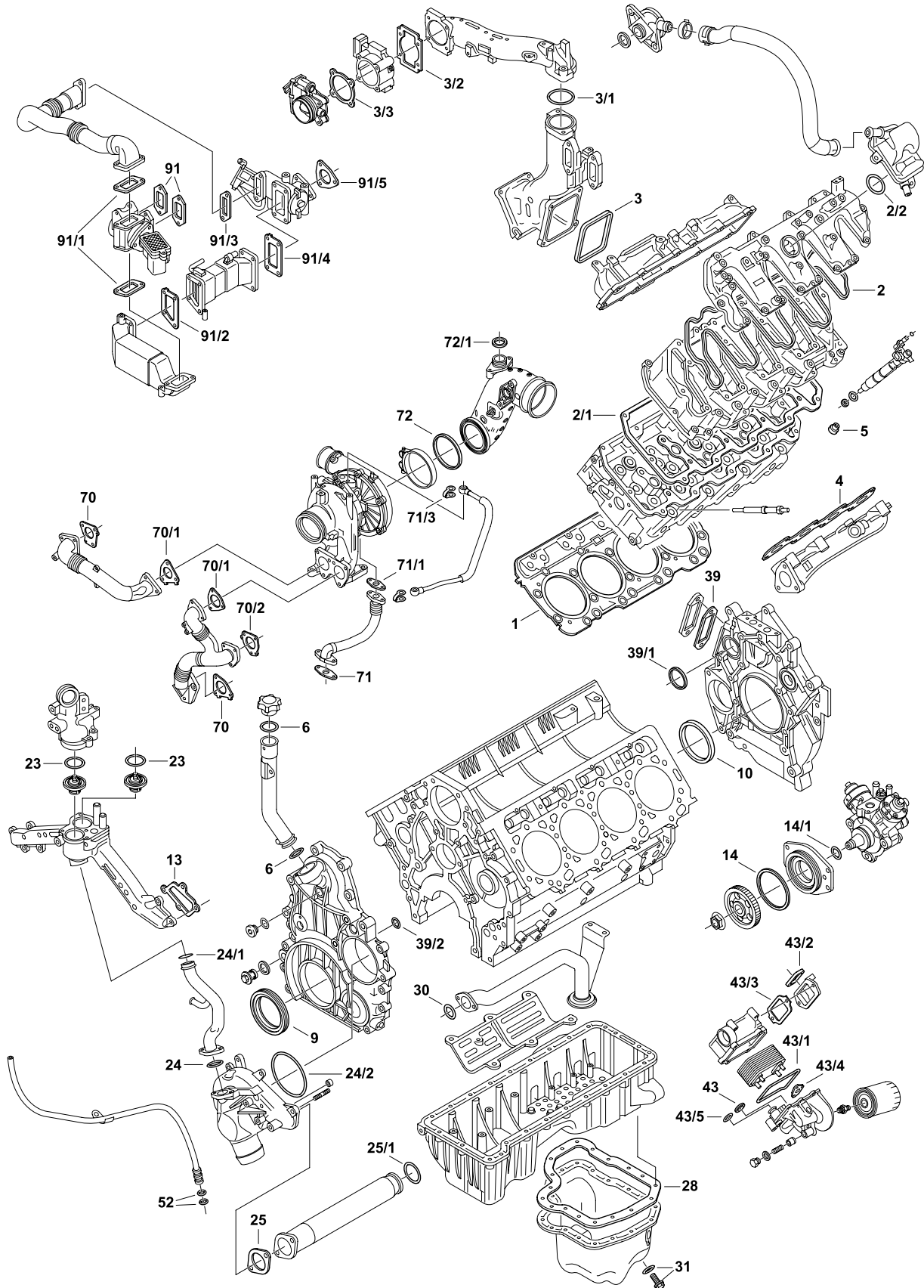


25/1	798.260	1	94011702	O-Ring 43.5 x 3.5 mm EPDM	-
25/2	098.660	1	94005941	30.4 x 38 x 2.0 mm AL A	-
28	779.360	1	-	-	-
30	109.020	1	97207225	-	-
31	108.560	1	11569943	M 14 x 1.5 x 20 mm	-
39	108.520	1	97229043	-	-
39/1	792.660	1	12644448	FKM	-
39/2	818.445	1	94011695	O-Ring 21 x 2.4 mm FKM	-
39/2	091.710	1	94056175	O-Ring 44.64 x 3.55 mm MVQ	-
43	584.240	1	94399279	O-Ring 25.8 x 3.53 mm FKM	-
43/1	798.270	1	97358847	EPDM	-
43/2	792.620	1	12709792	HNBR	-
43/3	795.240	1	97192666	-	-
43/4	795.410	1	12640849	-	-
43/5	795.320	1	12640850	-	-
43/6	157.030	1	97216175	O-Ring 21.82 x 3.53 mm FKM	-
52	457.960	2	94036238	-	-
70	795.230	2	97188685	-	-
70/1	795.200	2	97192618	-	-
70/2	103.130	1	98054444	-	-
71	098.520	1	97208191	-	-
71/1	098.510	1	97227012	-	-
71/2	561.850	2	97331137	-	-
91	097.040	1	97367013	-	-
91/1	097.020	1	97367014	-	-
91/2	097.000	1	98054443	-	-









795.240

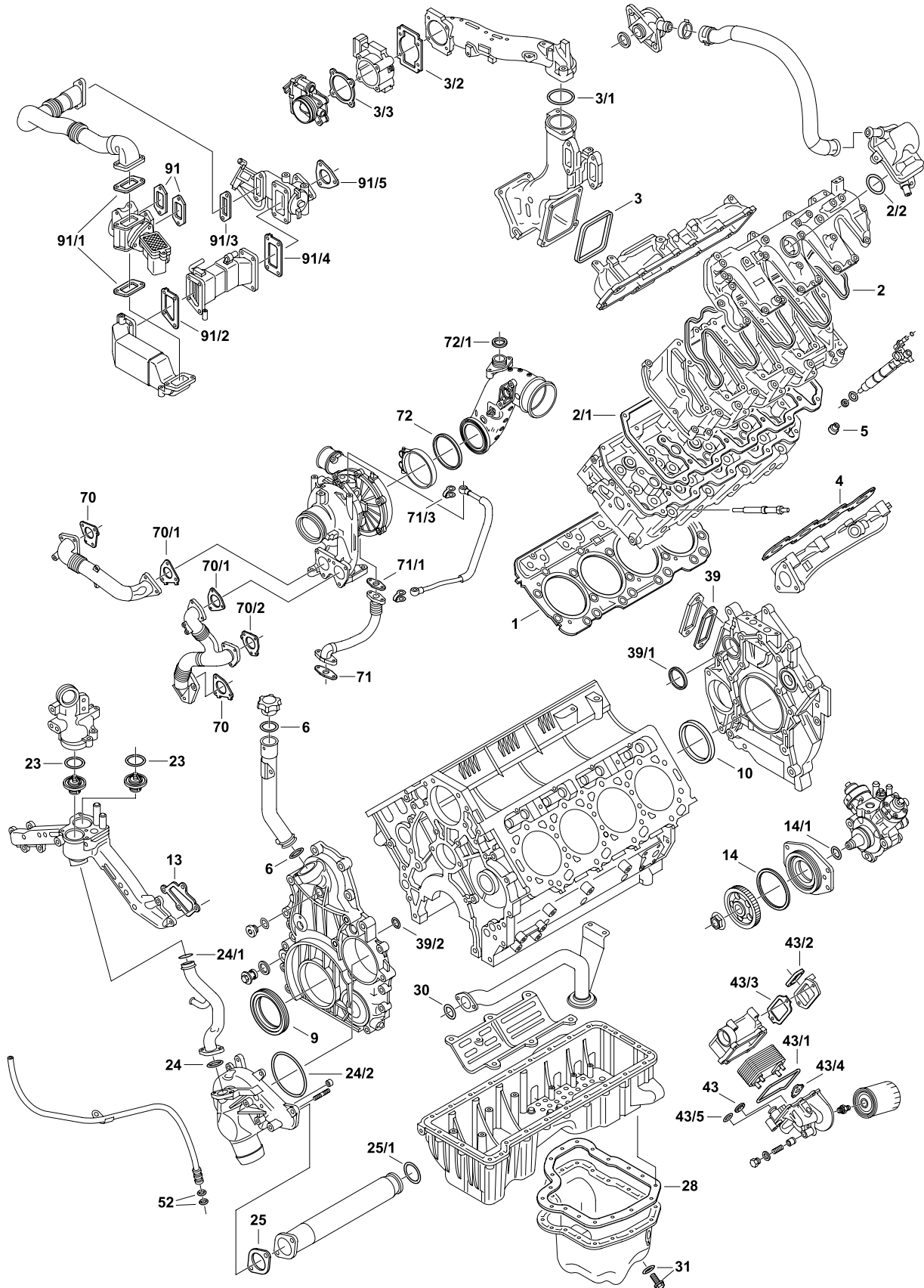
LML (2011-2016)





	565.630	1	-	-	-
	483.710	1	-	-	-
	842.140	1	-	-	-
	483.730	1	-	-	-
	773.210	8	-	-	-
	842.020	1	-	-	-
1	541.782	1	12637787	Grade A Ø 105.4 mm ± 0.95 mm	LH
1	541.792	1	12637786	Grade B Ø 105.4 mm ± 1.00 mm	LH
1	541.802	1	12637785	Grade C Ø 105.4 mm ± 1.05 mm	LH
1	355.541	1	98040130	REMAN Ø 106.1 mm ± 1.05 mm	LH
1	541.752	1	12637790	Grade A Ø 105.4 mm ± 0.95 mm	RH
1	541.762	1	12637789	Grade B Ø 105.4 mm ± 1.00 mm	RH
1	541.772	1	12637788	Grade C Ø 105.4 mm ± 1.05 mm	RH
1	355.531	1	98040128	REMAN Ø 106.1 mm ± 1.05 mm	RH
2	795.260	2	12628569	-	-
2/1	793.010	2	97321295	-	-
2/2	795.600	1	12654254	O-Ring 36.0 x 3.6 mm HNBR	-
3	792.600	2	97363570	HNBR	-
3/1	792.690	1	12627913	-	-
3/2	795.350	1	12638428	-	-
3/3	795.250	1	12638606	-	-
4	792.750	2	98002804	-	-
5	795.790	32	12624396	6 x 11.5 mm / 14.2 x 14.3 mm FKM	-
6	792.530	2	12625100	O-Ring 35.0 x 3.5 mm ACM	-
9	795.470	1	97209341	75.8 x 111.2 x 17.2 mm A/BS SP RD MVQ	-
10	795.430	1	97209342	103.8 x 139.2 x 16.5 mm A/BS SP LD MVQ	-
13	795.220	2	97223686	-	-
14	353.760	1	12638504	O-Ring 89.2 x 3.5 mm FKM	-
14/1	152.630	1	12601645	O-Ring 45.0 x 2.5 mm FKM	-
23	792.640	2	12680544	-	-
24	778.200	1	94011603	O-Ring 33.0 x 2.5 mm EPDM	-
24/1	778.190	1	94011602	O-Ring 24.6 x 2.4 mm EPDM	-
24/2	792.570	1	94013304	O-Ring 106 x 3.5 mm ACM	-

LML (2011-2016)





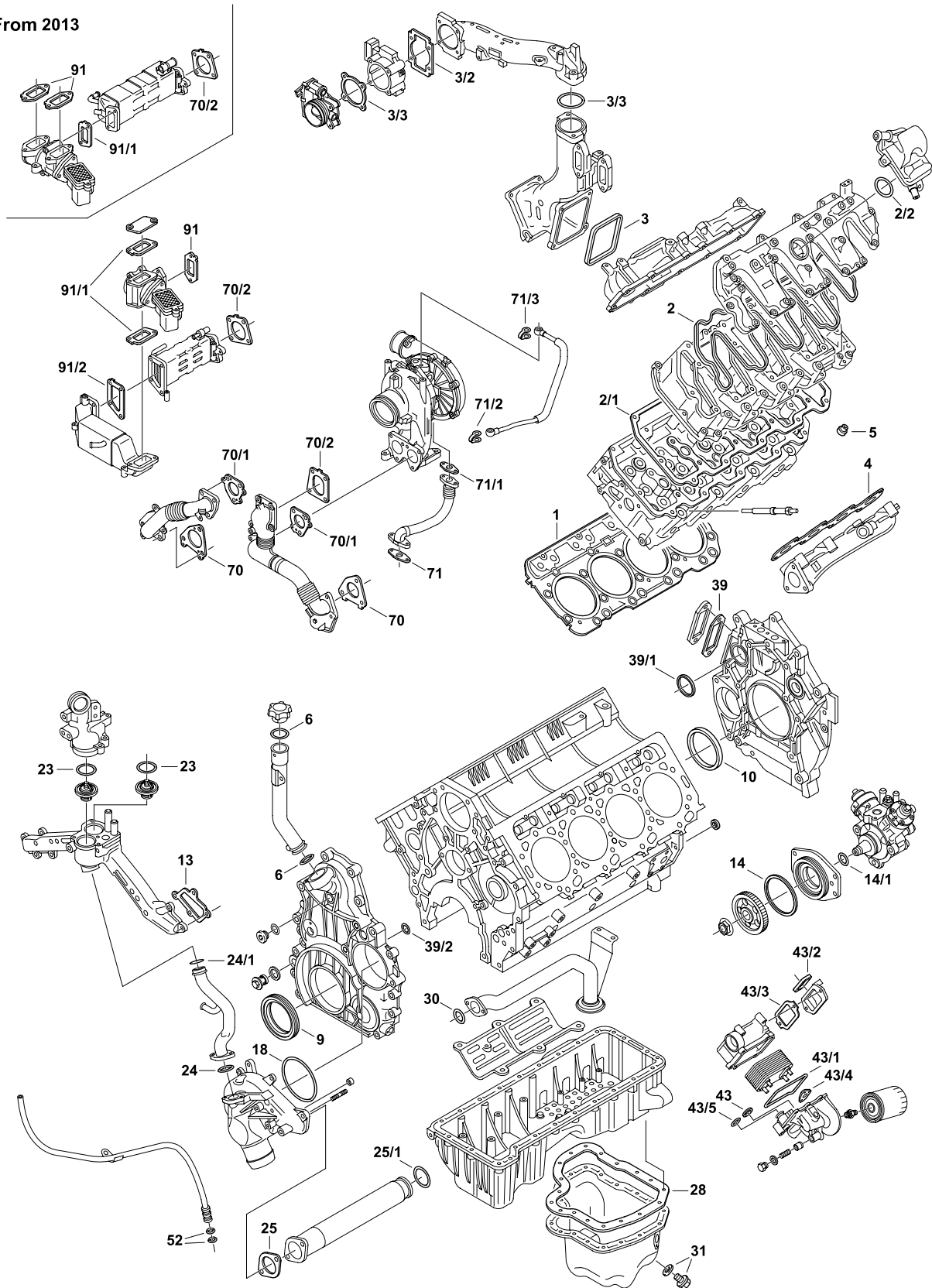
25	795.210	1	12635594	-	-
25/1	798.260	1	94011702	O-Ring 43.5 x 3.5 mm EPDM	-
28	779.360	1	-	-	-
30	792.550	1	12629741	O-Ring 33.0 x 2.6 mm ACM	-
31	108.560	1	11569943	M 14 x 1.5 x 20 mm	-
39	108.520	1	97229043	-	-
39/1	792.660	1	12644448	FKM	-
39/2	818.445	1	94011695	O-Ring 21.0 x 2.4 FKM	-
43	792.680	1	12631281	FKM	-
43/1	798.270	1	97358847	EPDM	-
43/2	792.620	1	12709792	HNBR	-
43/3	795.240	1	97192666	-	-
43/4	795.320	1	12640850	-	RH
43/4	795.410	1	12640849	-	LH
43/5	157.030	1	97216175	O-Ring 21.82 x 3.53 mm FKM	-
52	457.960	2	94036238	O-Ring 11.0 x 2.4 mm MVQ	-
70	795.230	2	97188685	-	-
70/1	795.200	2	97192618	-	-
70/2	440.100	1	98065519	-	-
71	564.190	1	12637218	-	-
71/1	562.200	1	12637217	-	-
71/3	561.850	1	97331137	-	-
72	653.640	1	12631851	-	-
72/1	587.400	1	12629458	O-Ring 40.87 x 3.53 mm FKM	-
91	560.660	2	12635466	-	-
91/1	811.990	2	98062923	-	-
91/2	821.770	1	98065521	-	-
91/3	821.850	1	98065523	-	-
91/4	821.830	1	98065520	-	-
91/5	440.100	1	98065519	-	-










795.250

LGH (2011-2016)

From 2013

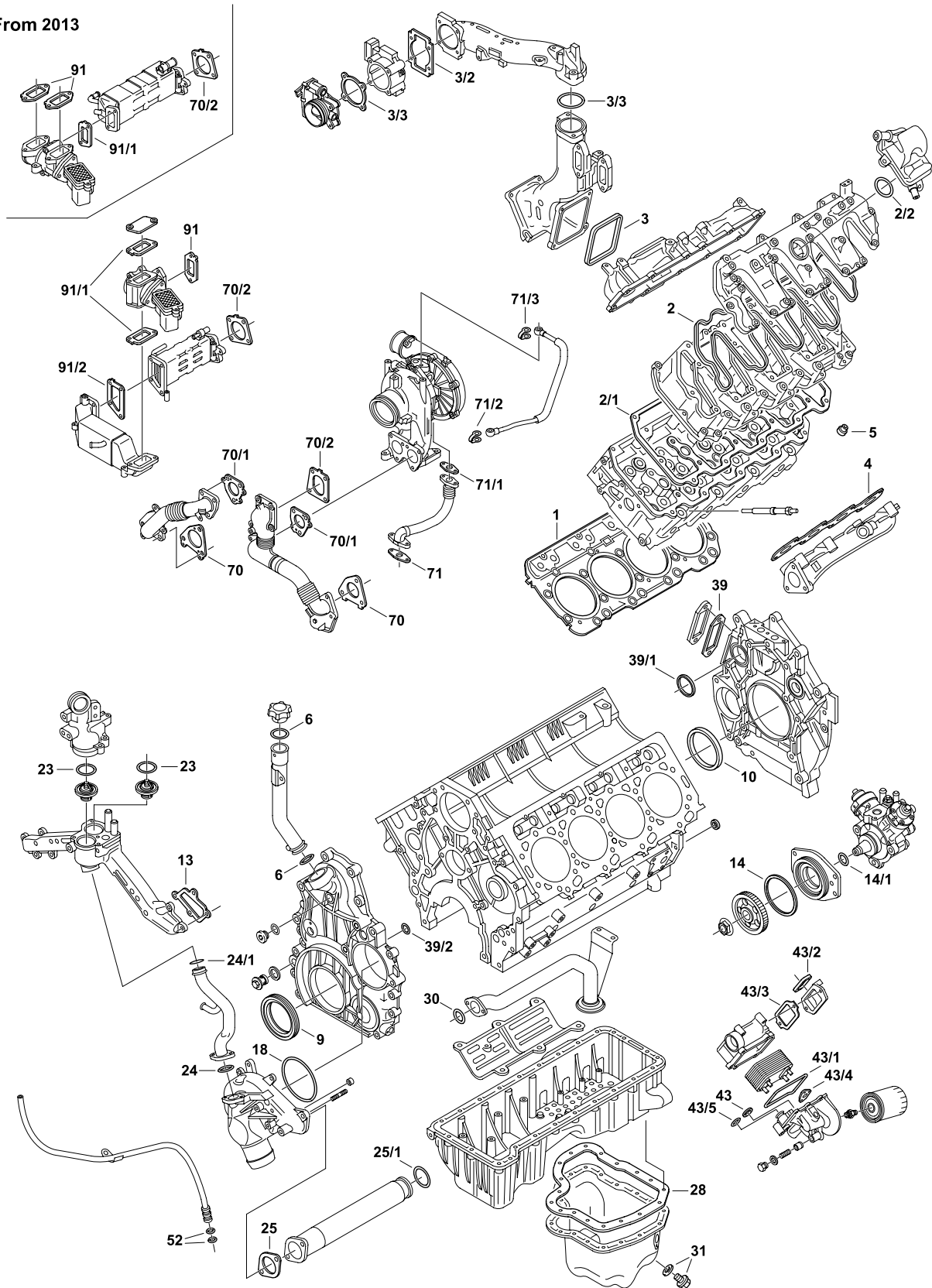




	483.710	1	-	-	 
	565.630	1	-	-	-
	842.130	1	-	-	-
	483.730	1	-	-	for #12649227
	773.210	8	19256465	-	-
	842.020	1	-	-	-
1	541.782	1	12637787	Grade A Ø 105.4 mm ± 0.95 mm	LH
1	541.792	1	12637786	Grade B Ø 105.4 mm ± 1.00 mm	LH
1	541.802	1	12637785	Grade C Ø 105.4 mm ± 1.05 mm	LH
1	355.541	1	98040130	REMAN Ø 106.1 mm ± 1.05 mm	LH
1	541.752	1	12637790	Grade A Ø 105.4mm ± 0.95 mm	RH
1	541.762	1	12637789	Grade B Ø 105.4 mm ± 1.00 mm	RH
1	541.772	1	12637788	Grade C Ø 105.4 mm ± 1.05 mm	RH
1	355.531	1	98040128	REMAN Ø 106.1 mm ± 1.05 mm	RH
2	795.260	2	12628569	-	-
2/1	793.010	2	97321295	-	-
2/2	795.600	1	12654254	O-Ring 36.0 x 3.6 mm HNBR	-
3	792.600	2	97363570	-	-
3/1	792.690	1	12627913	-	-
3/2	795.350	1	12638428	-	-
3/3	795.250	1	12638606	-	-
4	792.750	2	98002804	-	-
5	795.790	32	12624396	6 x 11.5 mm / 14.2 x 14.3 mm FKM	-
6	792.530	2	12625100	O-Ring 35.0 x 3.5 mm ACM	-
9	795.470	1	97209341	75.8 x 111.2 x 17.2 mm A/BS SP RD MVQ	-
10	795.430	1	97209342	103.8 x 139.2 x 16.5 mm A/BS SP LD MVQ	-
13	795.220	2	97223686	-	-
14	353.760	1	12638504	O-Ring 89.2 x 3.5 mm FKM	-
14/1	152.630	1	12601645	O-Ring 45 x 2.5 mm FKM	-
18	792.570	1	94013304	O-Ring 106 x 3.5 mm ACM	-
23	792.640	2	12680544	-	-
24	778.200	1	94011603	O-Ring 33.0 x 2.5 mm EPDM	-
24/1	778.190	1	94011602	O-Ring 24.6 x 2.4 mm EPDM	-

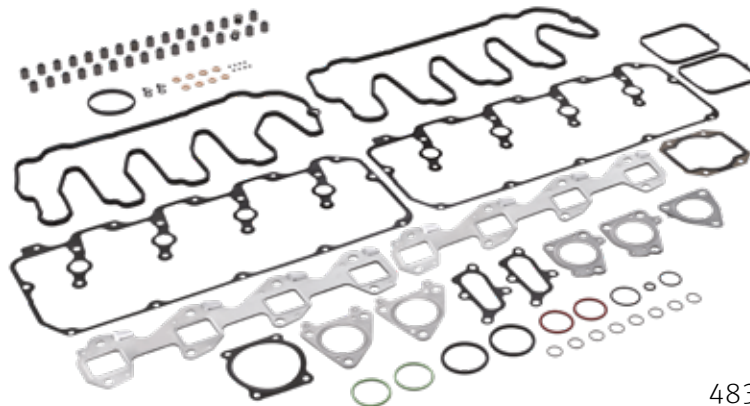
LGH (2011-2016)

From 2013





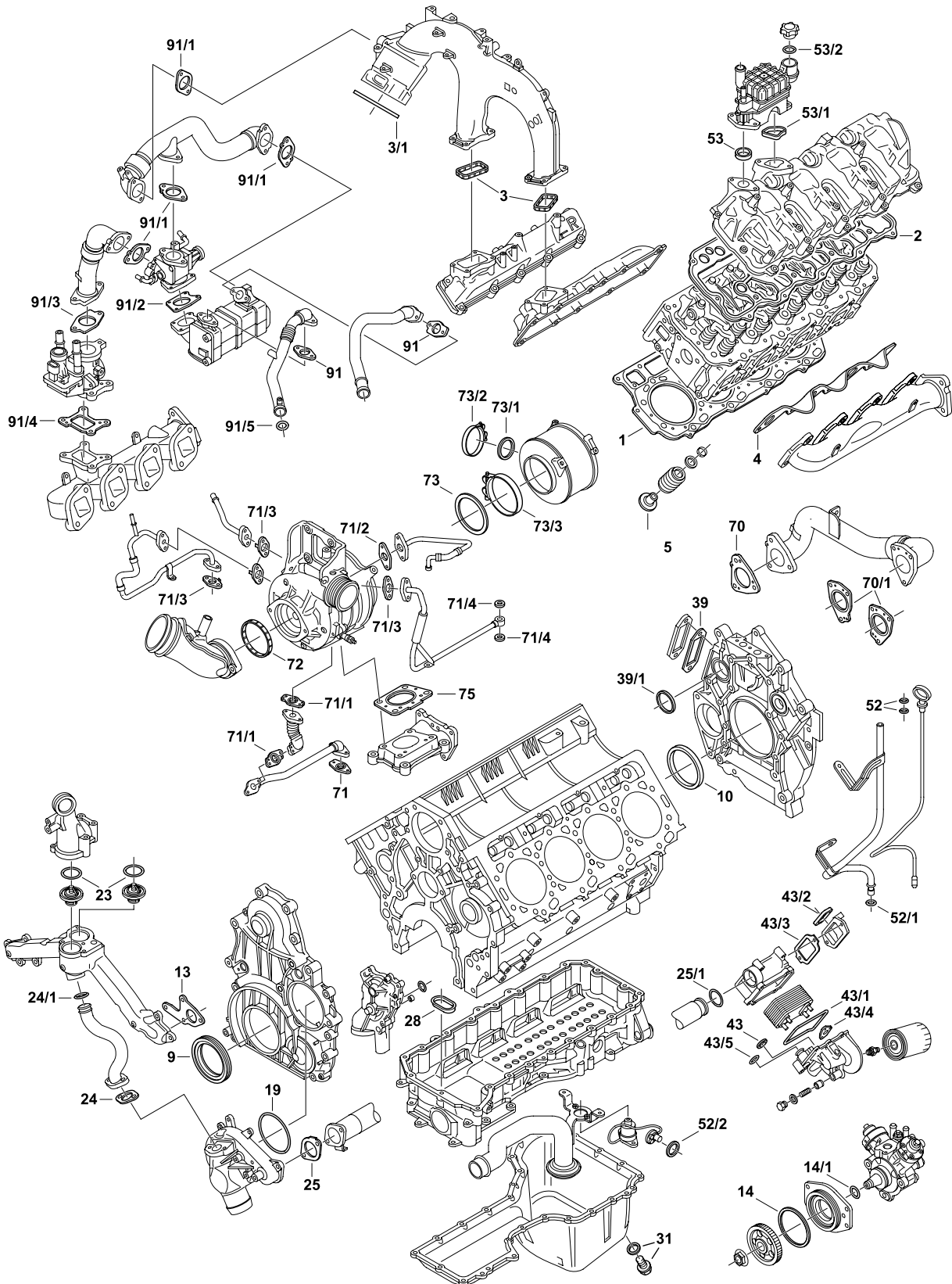
25	795.210	1	12635594	-	-
25/1	798.260	1	94011702	O-Ring 43.5 x 3.5 mm EPDM	-
28	779.360	1	-	-	-
30	792.550	1	12629741	O-Ring 33.0 x 2.6 mm ACM	-
31	108.560	1	11569943	M 14 x 1.5 x 20 mm	-
39	108.520	1	97229043	-	-
39/1	792.660	1	12644448	FKM	-
39/1	818.445	1	94011695	O-Ring 21 x 2.4 FKM	-
39/2	091.710	1	94056175	O-Ring 44.64 x 3.55 mm MVQ	-
43	792.680	1	12631281	FKM	-
43/1	798.270	1	97358847	EPDM	-
43/2	792.620	1	12709792	HNBR	-
43/3	795.240	1	97192666	-	-
43/4	795.410	1	12640849	-	LH
43/4	795.320	1	12640850	-	RH
43/5	157.030	1	97216175	O-Ring 21.82 x 3.53 mm FKM	2011-2012
52	457.960	2	94036238	-	-
70	795.230	2	97188685	-	-
70/1	795.200	2	97192618	-	-
70/2	821.910	1	98070023	-	-
71	564.190	1	12637218	-	-
71/1	562.200	1	12637217	-	-
71/3	561.850	1	97331137	-	-
91	560.660	1	12635466	-	-
91/1	811.990	2	98062923	-	-
91/2	821.770	1	98065521	-	-
91/5	057.840	1	-	MVQ	-



483.710


L5P (from 2017)

L5D (from 2019)

















 L5P
 (from 2017)

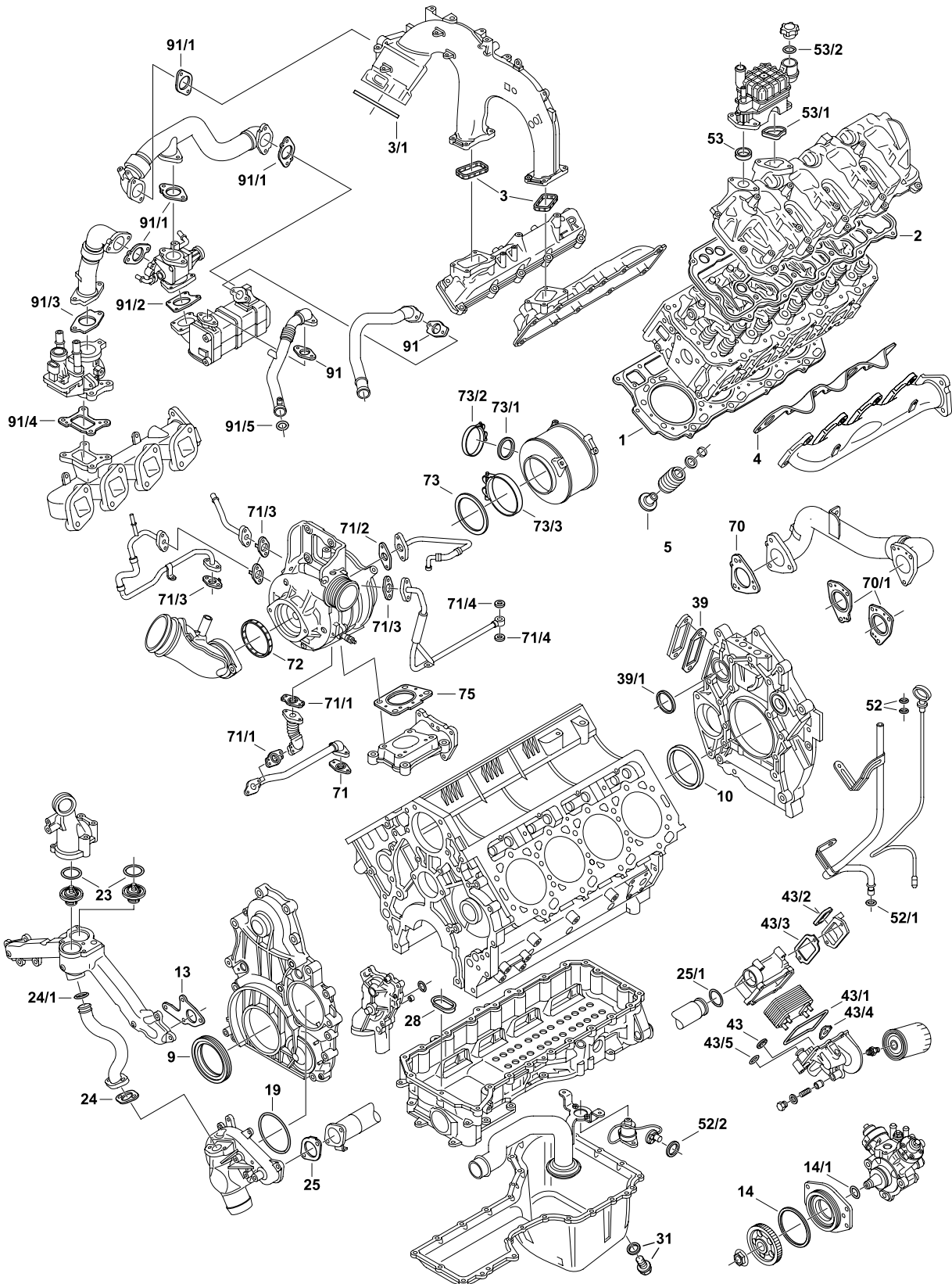


 L5D
 (from 2019)

					
	859.120	1	-	-	
	859.220	1	-	-	-
	859.700	1	-	-	-
	859.080	1	-	-	-
	731.180	1	-	-	-
	070.830	1	-	-	-
	859.610	1	-	-	-
	858.940	1	-	-	for #12708955
1	429.123	2	12676857	Grade A Ø 105.66 mm $\frac{\text{H7}}{\text{h6}}$ 1.20 mm	-
1	429.133	2	12676858	Grade B Ø 105.66 mm $\frac{\text{H7}}{\text{h6}}$ 1.25 mm	-
1	429.143	2	12676859	Grade C Ø 105.66 mm $\frac{\text{H7}}{\text{h6}}$ 1.30 mm	-
2	730.580	2	12691860	-	-
3	731.230	2	12642410	FKM	-
3/1	731.220	1	12665248	-	-
4	456.643	2	12705094	-	-
5	731.780	32	12633926	6.0 x 11.5 / 33.0 x 20.60 mm FKM	-
9	795.470	1	97209341	75.8 x 111.2 x 17.2 mm A/BS SP RD MVQ	-
10	795.430	1	97209342	103.8 x 139.2 x 16.5 mm A/BS SP LD MVQ	-
13	150.630	2	12643149	-	-
14	353.760	1	12638504	O-Ring 89.2 x 3.5 mm FKM	-
14/1	859.640	1	12647917	-	-
19	731.920	1	12643779	O-Ring 99.8 x 3 mm FKM	-
23	792.640	2	12680544	-	-
24	731.930	1	12643771	-	-
24/1	859.160	1	12658352	-	-
25	731.210	1	12644927	-	-
25/1	798.260	1	94011702	O-Ring 43.5 x 3.5 mm EPDM	-
28	731.950	1	12642251	ACM	-
31	823.400	1	55577568	M 12 x 1.75 x 17	-
39	108.520	1	97229043	-	-
39/1	859.270	1	12658507	FKM	-
43	792.680	1	12631281	FKM	-
43/1	731.200	1	12665548	HNBR	till 2019 for L5P / L5D all model years

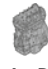
L5P (from 2017)

L5D (from 2019)



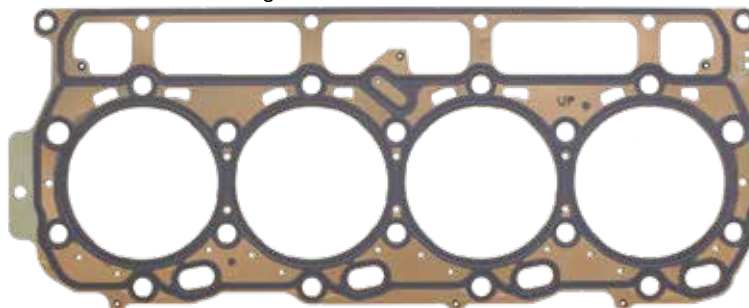


L5P
 (from 2017)



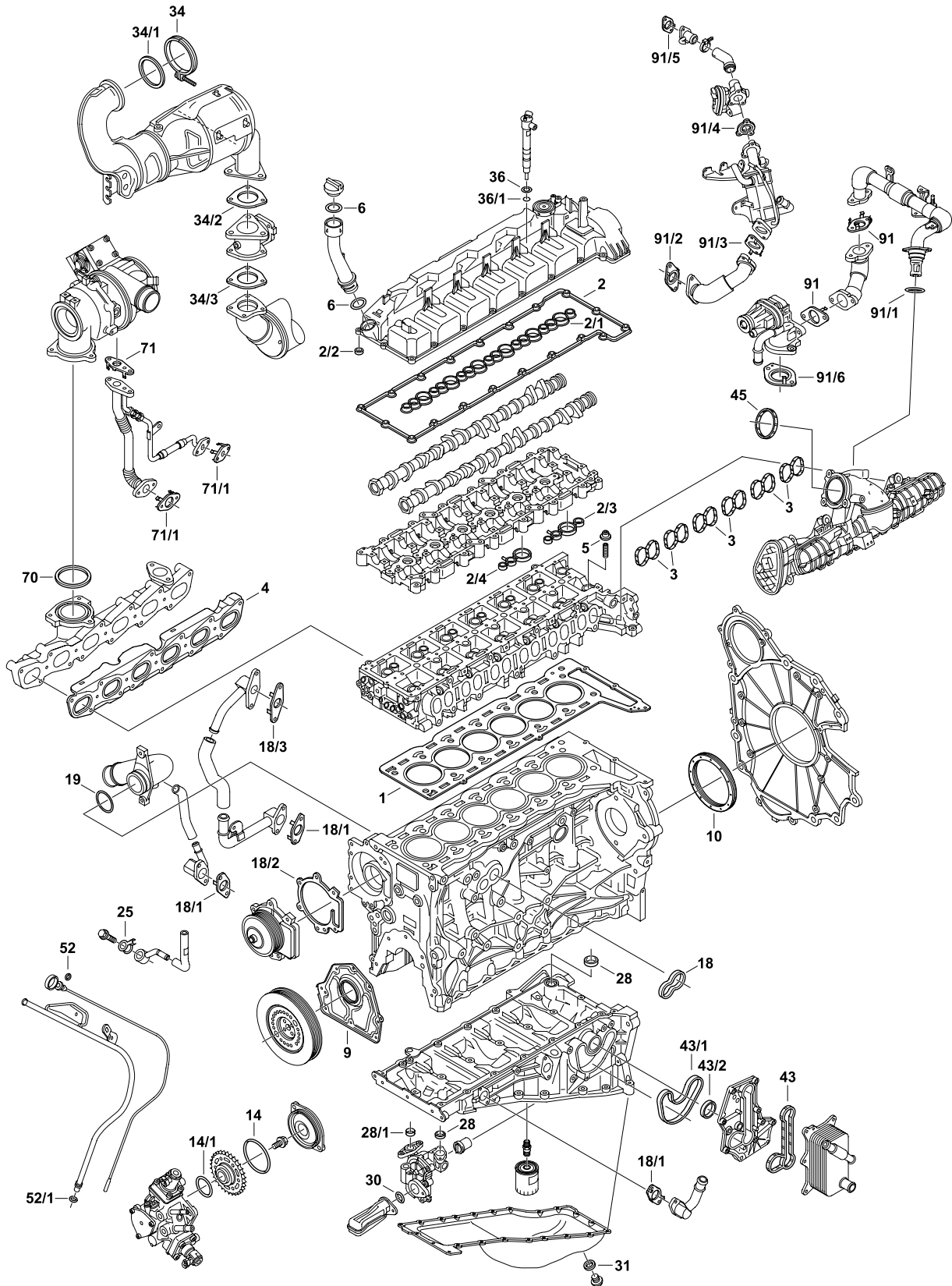
L5D
 (from 2019)


43/1	840.540	1	12675429	HNBR	from 2020 for L5P
43/2	792.620	1	12709792	HNBR	-
43/3	731.190	1	12647254	-	-
43/4	795.410	1	12640849	-	LH
43/5	795.320	1	12640850	-	RH
52	584.210	2	24504031	O-Ring 6.07 x 1.78 mm FKM	-
52/1	355.940	1	12676951	O-Ring 7.59 x 2.62 mm FKM	-
52/2	351.330	1	12638820	O-Ring 18.5 x 2.5 mm FKM	-
53	859.110	1	12670751	-	-
53/1	859.090	1	12657112	-	-
53/2	858.990	1	12671847	-	-
70	455.492	2	12688018	-	-
70/1	731.270	2	12688019	-	-
71	859.060	1	12642432	-	-
71/1	859.070	2	12642429	-	-
71/2	858.990	1	12671847	-	-
71/3	858.980	4	12691866	-	-
71/4	859.050	2	12662187	-	-
72	858.970	1	12651147	FKM	-
73	521.200	1	12672821	-	-
73/1	521.190	1	12672822	-	-
73/2	859.490	1	12683493	-	-
73/3	859.480	1	12683878	-	-
75	527.621	1	12677294	-	-
91	108.550	2	12648141	-	-
91/1	455.501	4	12680216	-	-
91/2	452.560	1	12658509	-	-
91/3	596.491	1	12688014	-	-
91/4	598.060	1	12677819	-	-
91/5	859.210	1	12648140	O-Ring 30.0 x 3.5 mm HNBR	-



429.143

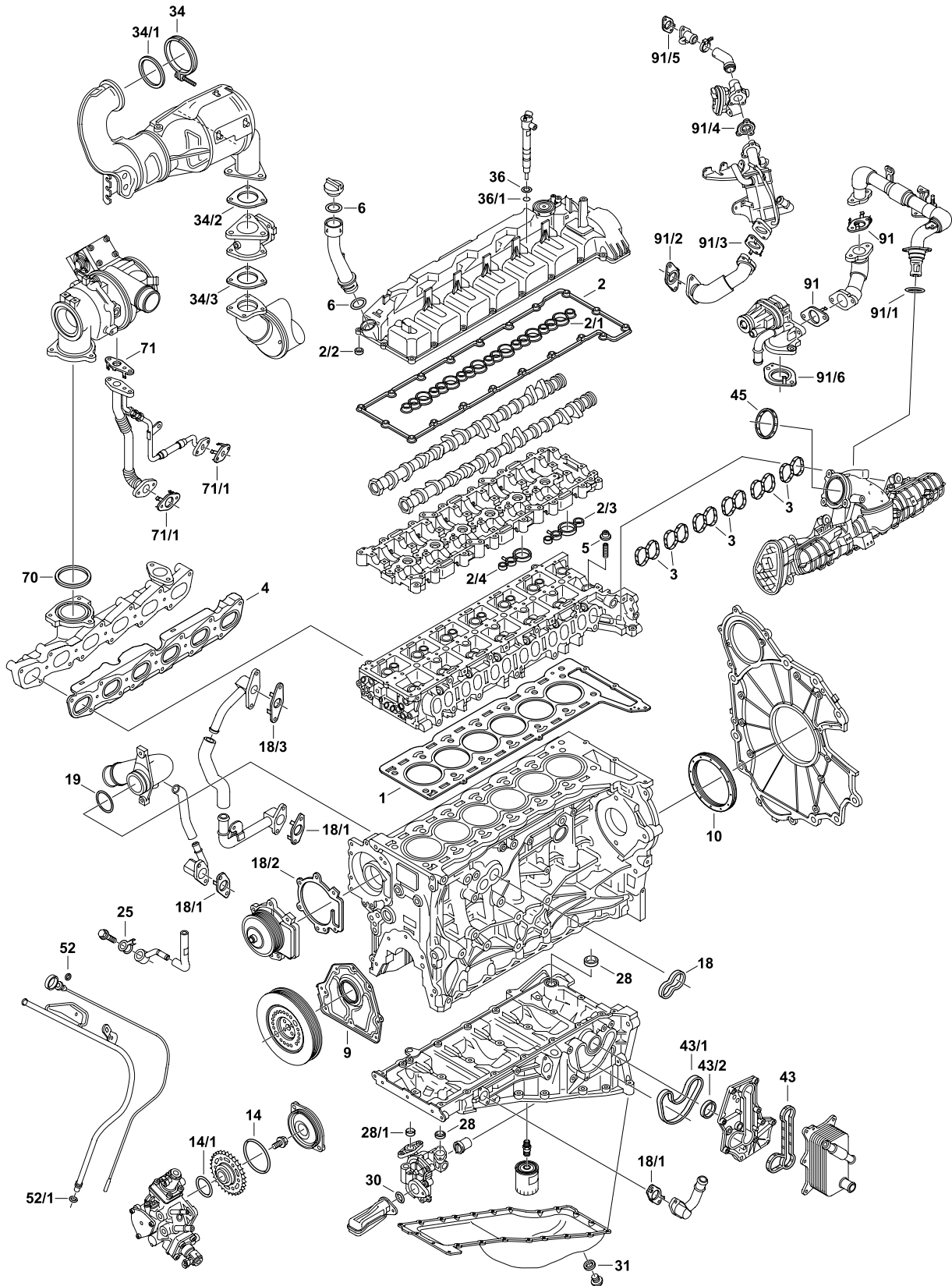
LM2 (from 2019)






	052.070	1	-	-	
	815.390	1	-	-	-
	815.420	1	55507117	-	-
	859.330	1	-	-	-
	815.310	6	-	-	-
	814.920	1	-	-	-
1	589.121	1	55512640	Ø 85.30 mm $\frac{\pm}{\mu}$ 1.30 mm	-
1	589.131	1	55512641	Ø 85.30 mm $\frac{\pm}{\mu}$ 1.40 mm	-
1	589.141	1	55512642	Ø 85.30 mm $\frac{\pm}{\mu}$ 1.50 mm	-
2	815.250	1	-	ACM	-
2/1	815.280	1	-	ACM	-
2/2	815.290	19	-	AEM	-
2/3	107.960	1	-	-	Set
2/4	107.960	1	-	-	Set
3	813.340	6	55503127	-	-
4	813.830	1	55507833	-	-
5	052.170	24	55484799	5.0 x 9.5 / 21.0 x 12.9 mm FKM	-
6	592.250	2	24100002	O-Ring 28.5 x 5.35 mm AEM	-
9	813.630	1	55509254	FKM	-
10	815.320	1	55515617	102 x 130 x 9 mm AS OF LD FKM	-
14	816.280	1	55500091	O-Ring 82 x 3.5 mm ACM	-
14/1	503.030	1	55510771	O-Ring 44 x 3 mm FKM	-
18	108.150	1	55496127	EPDM	-
18/1	570.840	4	55496955	-	-
18/2	576.020	1	55490545	-	-
18/3	570.850	1	55496954	-	-
19	108.510	1	55496156	-	-
25	558.070	2	55497445	-	-
28	815.730	2	55496126	AEM	-

LM2 (from 2019)





28/1	816.100	2	55500219	AEM	-
30	719.310	1	55487654	O-Ring 22 x 1.5 mm FKM	-
31	816.250	1	24233099	M 12 x 1.75 x 20 mm	-
34	859.430	1	55503171	-	-
34/1	859.450	1	55494570	-	-
34/2	859.380	1	55514599	-	-
34/3	052.330	1	84763642	-	-
36/1	481.870	6	55590468	7 x 13.75 x 2 mm CU A	-
43	052.360	1	55511495	-	-
43/1	074.570	1	55.496.125	-	-
43/2	815.560	1	55488933	-	-
45	813.350	1	55490568	-	-
52	584.210	2	24504031	O-Ring 6.07 x 1.78 mm FKM	-
52/1		1	12670252	-	-
70	814.660	1	55512949	-	-
71	570.820	1	55496918	-	-
71/1	858.890	2	40009034	-	-
91	859.340	2	55497083	-	-
91/1	813.460	1	55496593	-	-
91/2	859.400	1	55496995	-	-
91/3	859.390	1	55496996	-	-
91/4	859.370	1	55490621	-	-
91/5	576.260	1	55496936	-	-
91/6	859.360	1	55508537	-	-



815.310



Website



YouTube



Facebook



Instagram

The information provided here – based on years of experience and findings – is not intended to be comprehensive. Any claims for compensation based on this information excluded. All spare parts may only be installed by trained specialist personnel. Changes to the range and technical changes reserved. No liability for printing errors.

ElringKlinger Automotive Manufacturing, Inc (Plymouth)
47912 Halyard Drive, Suite 111
Plymouth, MI 48170
USA

C510298 0822 EN Letter

