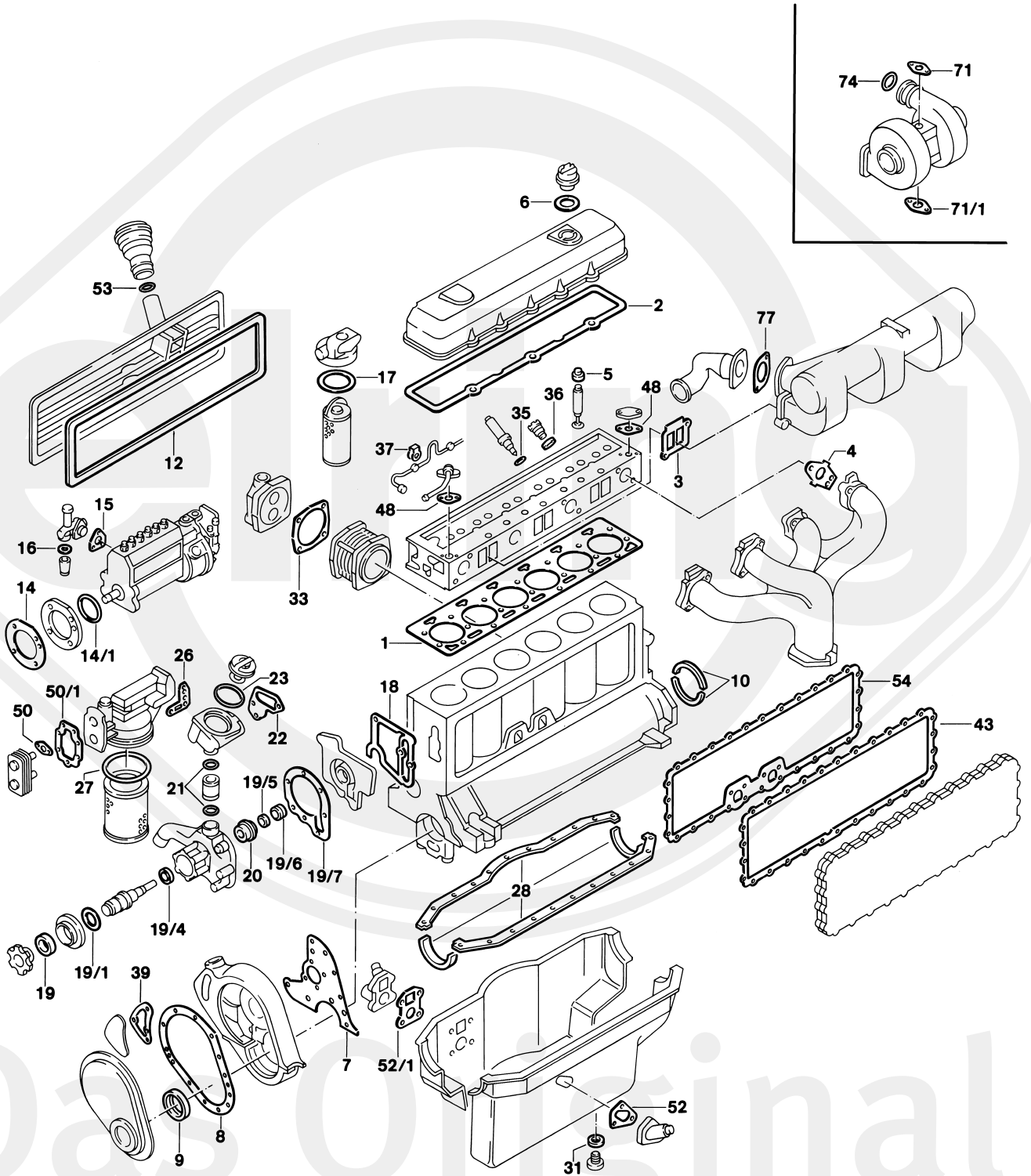




Das Original

Mercedes-Benz

OM 366 A | LA





356.940 | 941 | 943-959 | 977-980 | 983-987 | 990 | 992-996 | 999

366.941-949 | 951-958 | 960 | 962 | 963 | 965-971 | 973-981 | 983 | 984 | 988 | 990 | 992-997 | 999

357.900-910 | 915-922 | 924-927 | 929-933 | 936-938 | 940-949 | 961-963

372.950 | 951 | 953 | 956 | 958-962 | 964 | 980-987

376.911 | 941 | 945-947 | 950-958 | 961-964 | 967-970 | 972 | 975-977 | 980-982 | 984 | 986-989 | 993-995 | 997-999

377.940-945 | 960-964 | 967-969 | 972 | 973 | 980-989

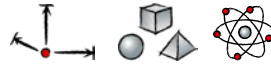
382.913 | 919 | 970 | 971

386.950-952 | 980 | 981 | 983

390.900



Das Original



S ⊕*	826.750	1x	-	-	366.941-943/945/946/951-953/ 957/962/965/967-971/973/979-981/ 983/988/990/993/995-997 356.940/943/944/946/948/951/ 953/984/985/986/987/990/992 357.900-904/908/915-919/963
S ⊕*	826.783	1x	-	-	366.944/966/974/976/978/992/994 356.941/945/947/952/959/994/995 357.906/907/909/910
ES	813.877	1x	366 010 61 20	-	366.941-949/951-958/960/962/ 963/965-971/973-981/983/984/988/ 990/992-997/999 356.940/941/943-959/984-987/ 990/992/994/995 357.901-910/915-919/963
ES	890.456	1x	366 010 71 20	-	366.999 356.977-980/983/993/996/999 357.920-922/924-927/929-933/ 936-938/940-949/961/962
CS *	817.481	1x	366 010 44 08	-	
OKS	828.181	1x	366 180 37 65	-	-
OKS	900.028	1x	366 180 37 65	-	-
OWS	284.734	1x	366 010 06 80	-	-
ZKS	820.075	1x	-	M12x1,75x111	-
TLS	713.855	1x	-	-	-
1	760.678	1x	366 010 06 20	∅ 98,5 mm $\frac{\pm}{\text{mm}}$ 1,2 mm	-
2	768.820	1x	366 016 03 21	-	-
3	768.929	3x	366 141 07 80	-	366.941-949/951-958/960/962/ 963/965-971/973-981/983/984/988/ 990/992-996/999 356.940/941/943-959/984-987/ 990/992/994/995 357.901-910/915-919/963
3	824.829	3x	366 141 10 80	-	366.999 356.977-980/983/993/996/999 357.920-922/924-927/929-933/ 936-938/940-949/961/962
4	461.873	4x	366 142 08 80	-	



356.940 | 941 | 943-959 | 977-980 | 983-987 |
990 | 992-996 | 999

366.941-949 | 951-958 | 960 | 962 | 963 |
965-971 | 973-981 | 983 | 984 | 988 | 990 |
992-997 | 999

357.900-910 | 915-922 | 924-927 | 929-933 |
936-938 | 940-949 | 961-963

372.950 | 951 | 953 | 956 | 958-962 | 964 |
980-987

376.911 | 941 | 945-947 | 950-958 | 961-964 |
967-970 | 972 | 975-977 | 980-982 | 984 |
986-989 | 993-995 | 997-999

377.940-945 | 960-964 | 967-969 | 972 | 973 |
980-989

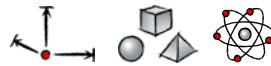
382.913 | 919 | 970 | 971

386.950-952 | 980 | 981 | 983

390.900



Das Original



5	577.898	6x	366 053 00 58	9x14,6/19x15 FPM	
5	577.901	6x	366 053 01 58	10x14,6/19x15 FPM	-
6	827.428	1x	102 018 03 80	38,5x59x2,3 HNBR A	-
7	977.160	1x	366 015 01 80	-	-
8	768.804	1x	366 015 00 20	-	-
9	553.272	1x	014 997 16 47	65x90x12 AW/BS RD FPM	-
10	837.549	2x	001 997 41 41	-	-
12	351.939	1x	366 015 00 60	-	-
14	112.802	1x	352 076 02 80	-	-> 043295
14		1x	011 997 16 48	119x3 NBR RD	043296 ->
14/1	102.032	1x	014 997 61 48	78x3 NBR RD	-
15		1x	001 074 22 80	-	-
16	716.200	1x	000 997 00 40	28x36x2 NBR A	-
17	731.269	1x	000 477 35 80	-	-
18	768.033	1x	366 201 04 80	-	-
19	344.400	1x	003 997 51 46 005 997 00 47	42x56x7 NBR A	-
19/1		1x	005 997 11 45	62x3 NBR RD	-
19/4	054.003	1x	002 997 84 46 005 997 01 47	17x35x7 NBR A	-
19/5	-	1x	000 201 04 63	-	-
19/6	-	1x	000 201 01 97	-	-
19/7	768.961	1x	364 201 02 80	-	-
20	577.804	1x	001 201 19 19	-	-
21		2x	011 997 70 48	-	-
22	768.970	1x	366 203 02 80	-	-
23	088.872	1x	020 997 11 48	60x4,2 EPDM RD	-
26		1x	364 184 02 80	-	-
27	780.103	1x	008 997 70 45	134x4 NBR RD	-> 923826 (1988)
27	305.308	1x	006 997 25 48	101x4,3 NBR RD	923827 (1990) -> 286114 (1993)



356.940 | 941 | 943-959 | 977-980 | 983-987 | 990 | 992-996 | 999

366.941-949 | 951-958 | 960 | 962 | 963 | 965-971 | 973-981 | 983 | 984 | 988 | 990 | 992-997 | 999

357.900-910 | 915-922 | 924-927 | 929-933 | 936-938 | 940-949 | 961-963

372.950 | 951 | 953 | 956 | 958-962 | 964 | 980-987

376.911 | 941 | 945-947 | 950-958 | 961-964 | 967-970 | 972 | 975-977 | 980-982 | 984 | 986-989 | 993-995 | 997-999

377.940-945 | 960-964 | 967-969 | 972 | 973 | 980-989

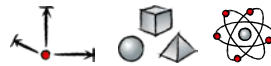
382.913 | 919 | 970 | 971

386.950-952 | 980 | 981 | 983

390.900



Das Original



27	147.760	1x	019 997 36 48	91x4 ACM RD	286115 → (1993)
28	284.734	1x	366 010 06 80	-	366.941-943/945/946/951-953/ 957/962/965/967-971/973/979-981/ 983/988/990/993/995-997/999 356.940/943/944/946/948/951/ 953/977/979/983/984/985/986/987/ 989-992/993/996/999 357.901-905/908/915-922/925-927/ 929-933/936-938/940-942/946-949/ 961/962/963 FE
28	893.110	1x	366 010 07 80	-	366.944/966/974/976/978/992/ 994/995 356.941/945/947/952/959/994/995 357.906/907/909/910/943/944
28	088.854	1x	352 010 04 80	-	366.947-949/954/955/956/958/ 963/977 356.950/954-957/980 357.924/945 FE
31	031.046	1x	007603 026109	26x34x2 CU A	-
33	768.863	1x	366 131 02 80	≙ 0,65 mm (94 mm Ø Cyl.)	-
33	768.871	1x	366 131 01 80	≙ 0,9 mm (94 mm Ø Cyl.)	-
35		6x	388 017 01 60	9,5x20x1,0 CU A	-
35	067.989	6x	346 017 02 60	10,5x21,8x1 CU A	-
36	776.262	6x	016 997 82 48	30,8x3,7 FPM RD	-
37	175.811	6x	352 078 00 80	8,2x12x8,3x1 CU	-
39		1x	352 015 03 80	-	-
43	775.659	1x	366 188 02 80	-	-
48	768.988	1x	366 203 03 80	-	-
50	777.847	2x	364 184 03 80	-	→ 923826
50/1	834.638	1x	355 188 01 80	-	→ 923826
52	-	2x	366 018 02 80	-	-
52/1	-	2x	366 018 04 80	-	-
53	219.711	1x	000 997 53 48	36,5x3,2 NBR RD	→ 234537 (1992)
54	829.773	1x	366 188 05 80	-	-
71	756.874	1x	442 187 01 80	-	-
71/1	756.866	1x	442 187 00 80	-	-
74	892.653	1x	012 997 37 48	45x4 VMQ RD	-
77		1x	366 098 15 80	-	-