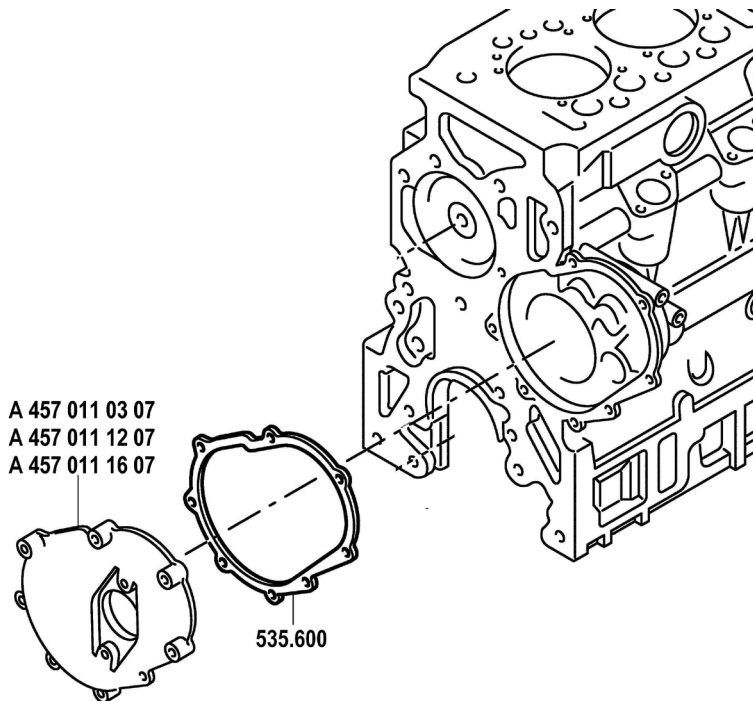
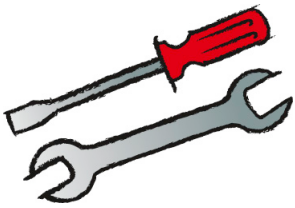


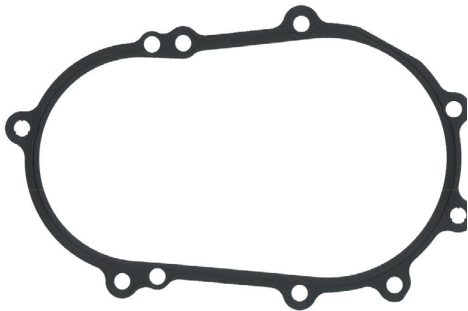
**TSI 04/2011**

New seal for the camshaft sprocket cover  
Mercedes-Benz OM 457 LA | HLA



In order to improve seal performance between the camshaft sprocket cover and the engine block, a new Metaloseal<sup>®</sup> has been developed. It replaces the sealing compound that was previously used for this joint.

In order to prevent damage to the belt drive, the camshaft sprocket cover must be replaced!



535.600 1x # 457 011 08 80

**ElringKlinger AG | Division Aftermarket**

Max-Eyth-Straße 2 | D-72581 Dettingen/Erms

Fon +49 7123 724-799 | Fax +49 7123 724-798

service@elring.de | www.elring.com



**Das Original**